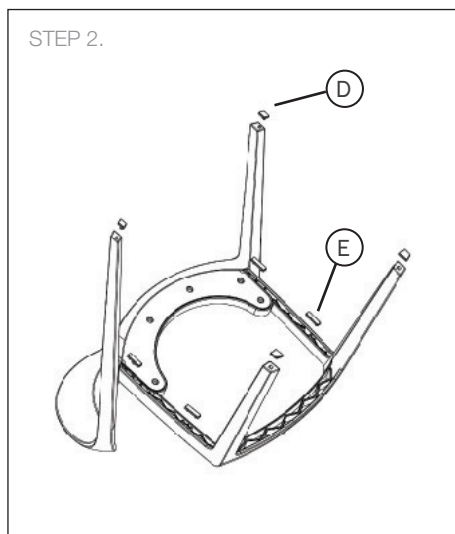
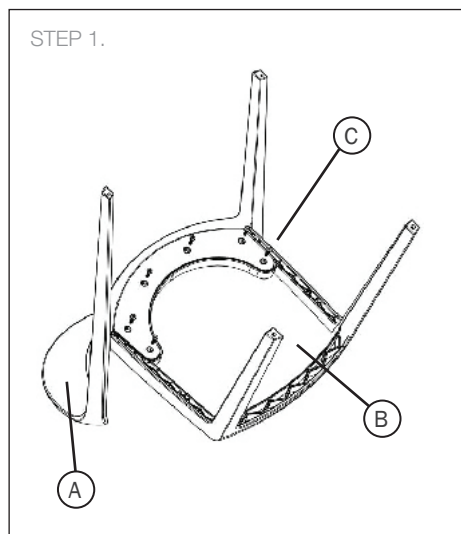


Assembly, Operating & Maintenance Instructions

KONFURB DUOBLOCK CHAIR

Remove all items from the carton. Verify all pieces before assembly.



PART LIST

KEY	QTY	DESCRIPTION
A	1	Back
B	1	Seat
C	6	Screws
D*	4	Leg Caps
E*	4	Seat Bumpers

* Pre-assembled

CARE & MAINTENANCE

GENERAL CARE

To maintain the appearance of this product, wipe surfaces with a clean, non-abrasive cloth dampened with a mild detergent solution. Treat spills and stains as soon as possible. Do not remove any parts for separate cleaning.

Do not shampoo or clean with a hot water extraction machine.

Do not clean with on-site dry cleaning machine. Konfurb does not guarantee its finishes with the use of any solvents other than soap and water.

Warning: Do not use solvents such as acetone, contact cleaners, thinners or Methyl Ethyl Ketone (MEK) to clean Polypropylene surfaces. These solvents will soften and/or dissolve these surfaces, diminishing its shine and durability or removing the finish altogether. Konfurb Duoblock Chairs are designed for indoor use only. Protect from direct sunlight, heat and weather.

All components are inspected for quality and uniformity of finish prior to assembly and delivery. Konfurb assumes no responsibility for nicks, cuts, scratches or any other kind of damage to the chair components caused by normal fair wear and tear, abusive use or improper use which contravenes Konfurb's strict Guarantee Terms & Conditions / Care & Maintenance instructions. For more information please visit www.konfurb.com.

PREVENTATIVE MAINTENANCE & WARNING!

- Use this product only for seating one person at a time.
- Do not use this chair as a step stool/ladder.
- Do not sit on any part of the chair except the seat.
- Do not use this chair on uneven floor surfaces.
- Do not interfere with the operating of the gas lift.
- Do not use chair unless all bolts, screws and knobs are tight. At least every six months check all bolts, screws and knobs to ensure they are tight.
- If any parts are missing, broken, damaged or worn do not use the product until repairs are made using factory authorised parts.
- Dispose of packaging properly.
- Plastic bag is not a toy.
- Do not use plastic bag as a head covering as it may cause suffocation.
- Failure to follow these warnings could result in serious injury.