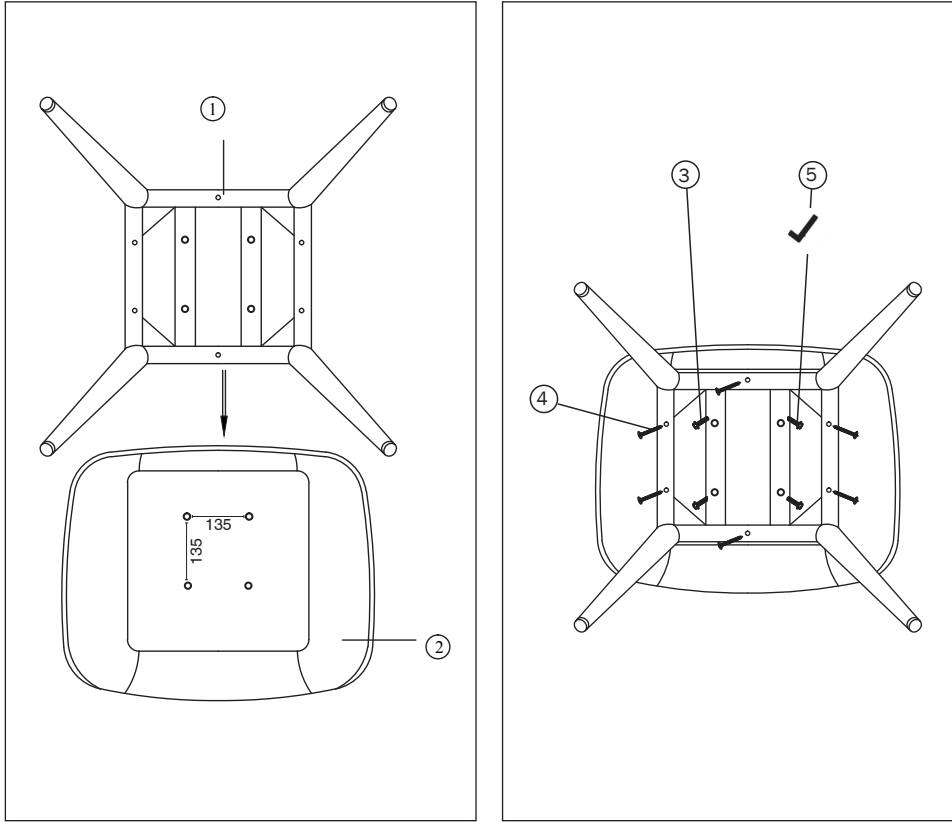


assembly, operating & maintenance instructions

Konfurb Neo Chair - 4 Leg Wood Base

Remove all items from the carton. Verify all pieces before assembly.



part list

key	qty	description
1	1	Base
2	1	Seat
3	4	Screws for Base (short)
4	6	Screws for Base (long)
5	1	Allen Wrench

care & maintenance

general care - upholstery

To maintain the appearance of non-upholstered parts wipe the surface with a clean cloth dampened with a mild detergent solution.

Do not remove any parts for separate cleaning.

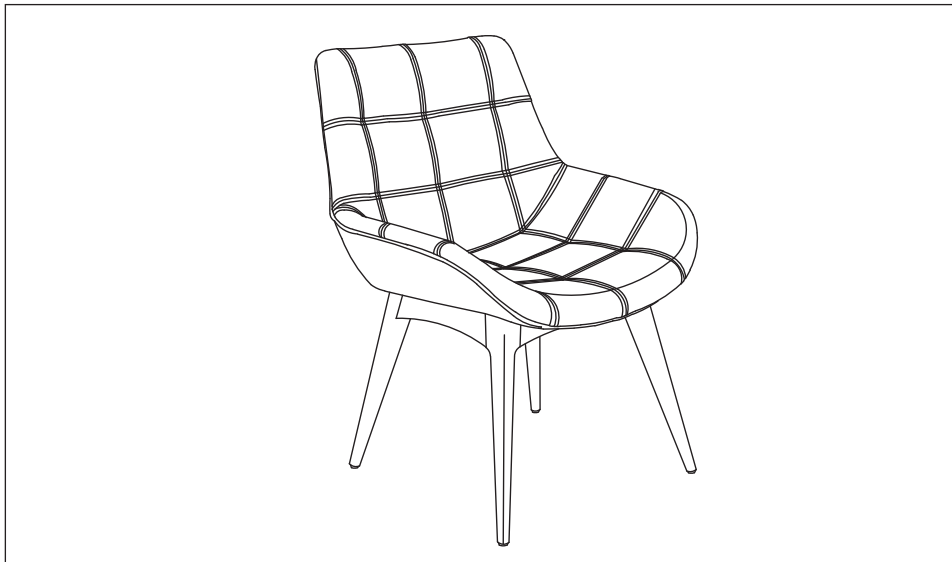
Do not saturate the fabric or interior with water or other cleaning liquids.

Do not shampoo clean.

Do not clean with hot water extraction machine.

Do not clean with onsite drycleaning machine.

Protect from direct sunlight, heat and weather.



foam & upholstery specs*

upholstery

Flame Resistance: Ca117 Section E Class I

*This applies only to standard Konfurb stock. Any customer specified upholstery may not meet these specifications.

preventative maintenance & warning!

- Use this product only for seating one person at a time.
- Do not use this chair as a step ladder.
- Do not sit on any part of the chair except the seat.
- Do not use this chair on uneven floor surfaces.
- Do not use chair unless all bolts, screws and knobs are tight. At least every six months check all bolts, screws and knobs to ensure they are tight.

- If any parts are missing, broken, damaged or worn do not use the product until repairs are made using factory authorised parts.
- Dispose of packaging properly.
- Plastic bag packaging is not a toy, do not use plastic bag as a head covering as it may cause suffocation.
- Failure to follow these warnings could result in serious injury.