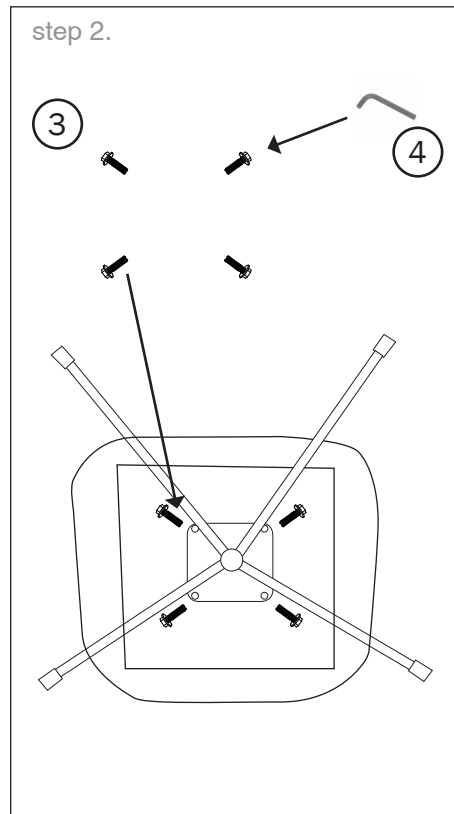
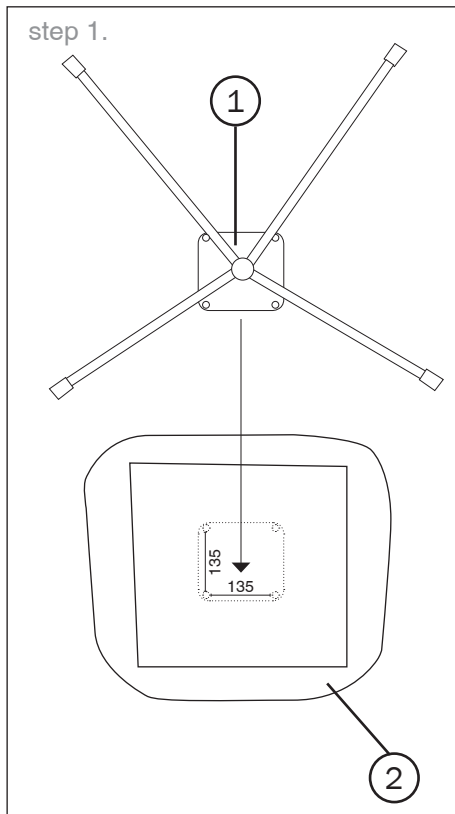


assembly, operating & maintenance instructions

Konfurb Neo Chair - 4 Star Base

Remove all items from the carton. Verify all pieces before assembly.



part list

key	qty	description
1	1	Base
2	1	Seat
3	4	Screws for Base
4	1	Allen Wrench (4mm)

care & maintenance

general care - upholstery

To maintain the appearance of non-upholstered parts wipe the surface with a clean cloth dampened with a mild detergent solution.

Do not remove any parts for separate cleaning.

Do not saturate the fabric or interior with water or other cleaning liquids.

Do not shampoo clean.

Do not clean with hot water extraction machine.

Do not clean with onsite drycleaning machine.

Protect from direct sunlight, heat and weather.

fabric upholstery care

Wipe with a clean cloth dampened with a mild upholstery detergent solution.

A soft bristle brush may be used to remove ingrained soil.

Spot clean as above.

Treat spills and stains as soon as possible.

Persistent stains may require treatment by a professional cleaner.

May be cleaned with dry powder cleaners.

Allow to dry thoroughly before reuse.

general care - frame

The stainless steel frame has been applied with a clear protective coating to help protect the brushed stainless steel from tarnishing or dulling in some office environments.

IMPORTANT NOTICE:

DO NOT wipe the surface of the stainless steel frame under any circumstances. Doing so will severely compromise the 'protective layer' increasing the chances of frame dulling & tarnishing to occur.

To maintain a high level of 'protective coating' on the stainless steel frame" it is recommended that every 12 months a coating of 'soft car wax/polish' is liberally applied to a soft cloth and wiped onto the surface of the stainless steel legs & frame. Any excess wax/polish should be removed.

foam & upholstery specs*

upholstery

Flame Resistance: Ca117 Section E Class I

*This applies only to standard Konfurb stock. Any customer specified upholstery may not meet these specifications.

preventative maintenance & warning!

- Use this product only for seating one person at a time.
- Do not use this chair as a step ladder.
- Do not sit on any part of the chair except the seat.
- Do not use this chair on uneven floor surfaces.
- Do not use chair unless all bolts, screws and knobs are tight. At least every six months check all bolts, screws and knobs to ensure they are tight.
- Do not wipe the surface of the stainless steel frame under any circumstances. Doing so will severely compromise the 'protective layer' increasing the chances of frame dulling & tarnishing.

- If any parts are missing, broken, damaged or worn do not use the product until repairs are made using factory authorised parts.
- Dispose of packaging properly.
- Plastic bag packaging is not a toy, do not use plastic bag as a head covering as it may cause suffocation.
- Failure to follow these warnings could result in serious injury.