

## SHOT TABLE ASSEMBLY GUIDE



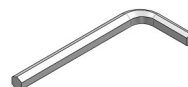
### Tools Required:



Battery Drill



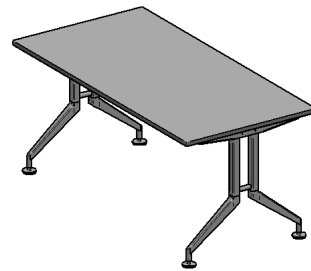
Phillips Driver Tip



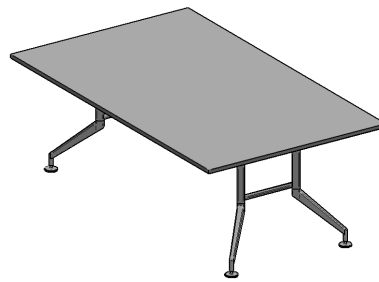
Hex Key (5mm)

Table Option :                      Page Number :      Image :

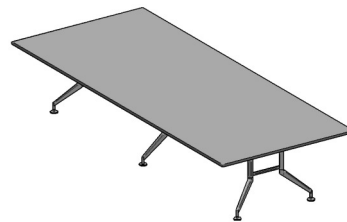
Single Beam / Straight Leg      3

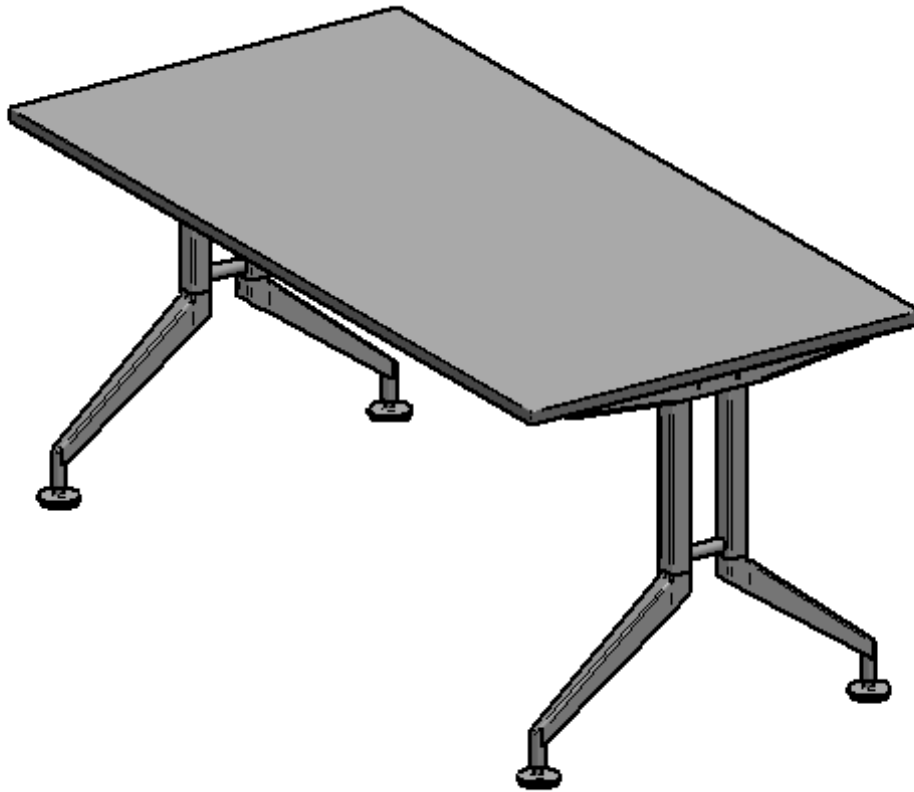


1 Double Beam                      6

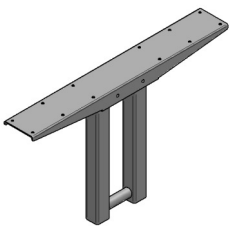


2 or More Double Beams              9

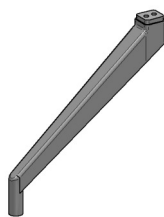




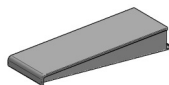
Parts list:



Part 1 (x2)



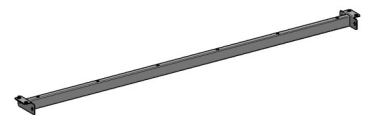
Part 2 (x4)



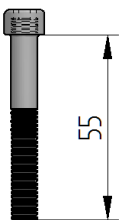
Part 3 (x4)



Part 4 (x4)



Beam (x1)



Part 5 (x8)



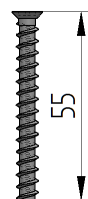
Part 8 (x8)



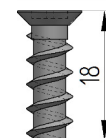
Part 9 (x16)



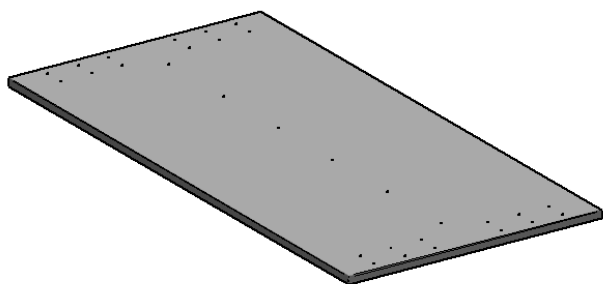
Part 10 (x8)



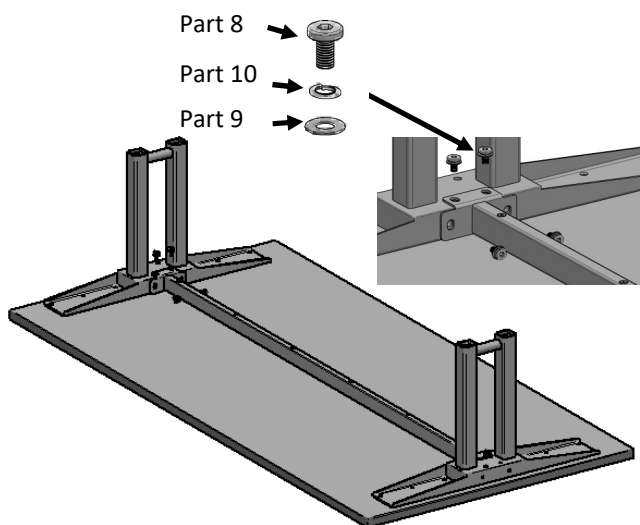
Part 6 (x6)



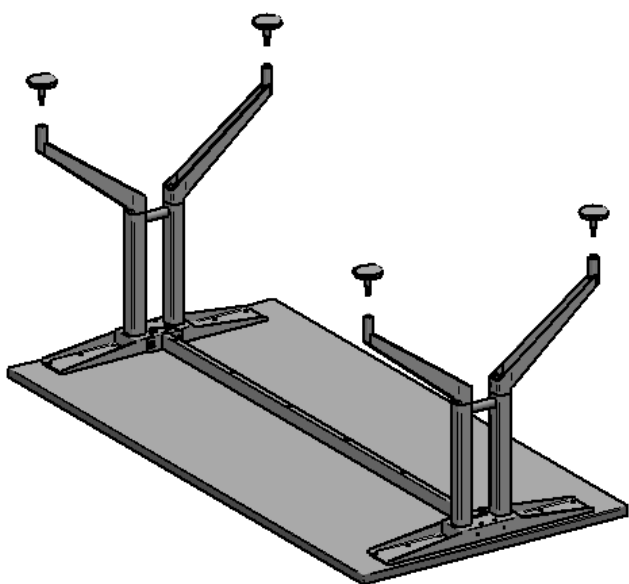
Part 7 (x24)



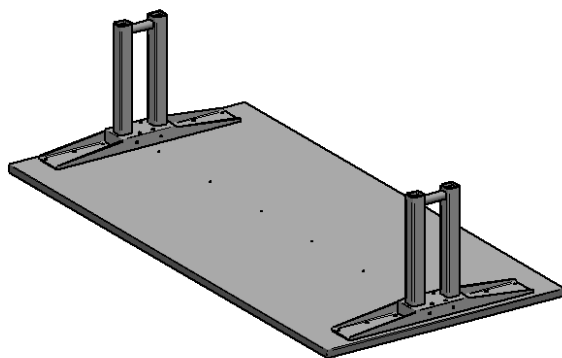
STEP 1: Place the table top face down on a clean flat surface.



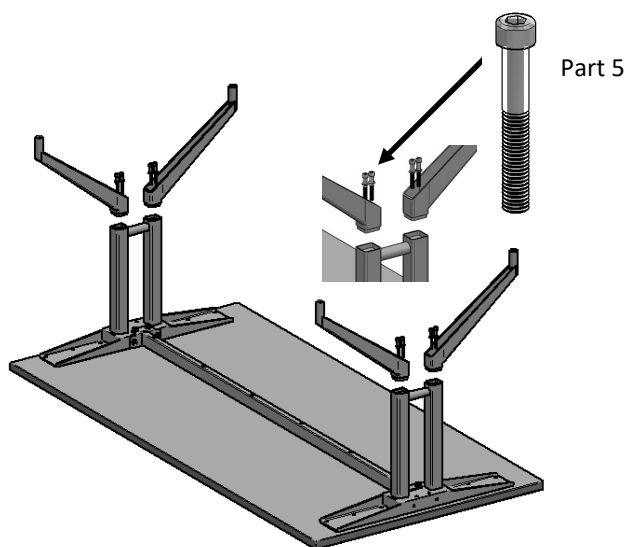
STEP 3: Attach the beam to Part 1. Using Part 8,10,9.



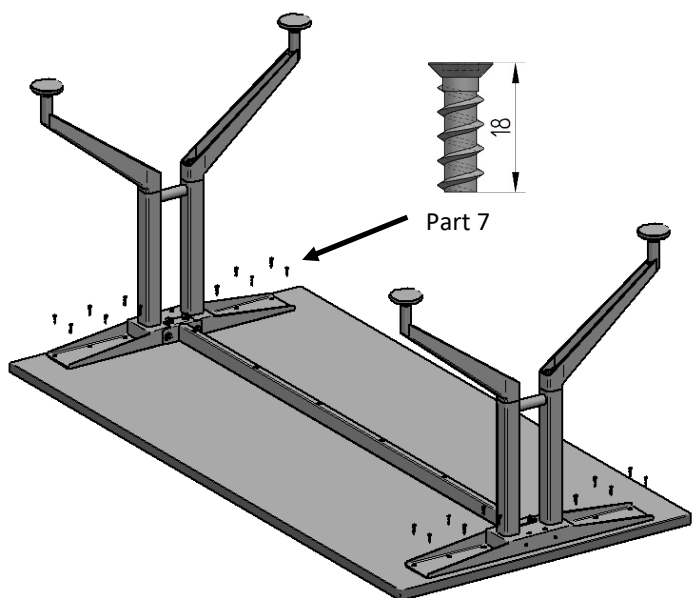
STEP 5: Attach Part 4 to Part 2.



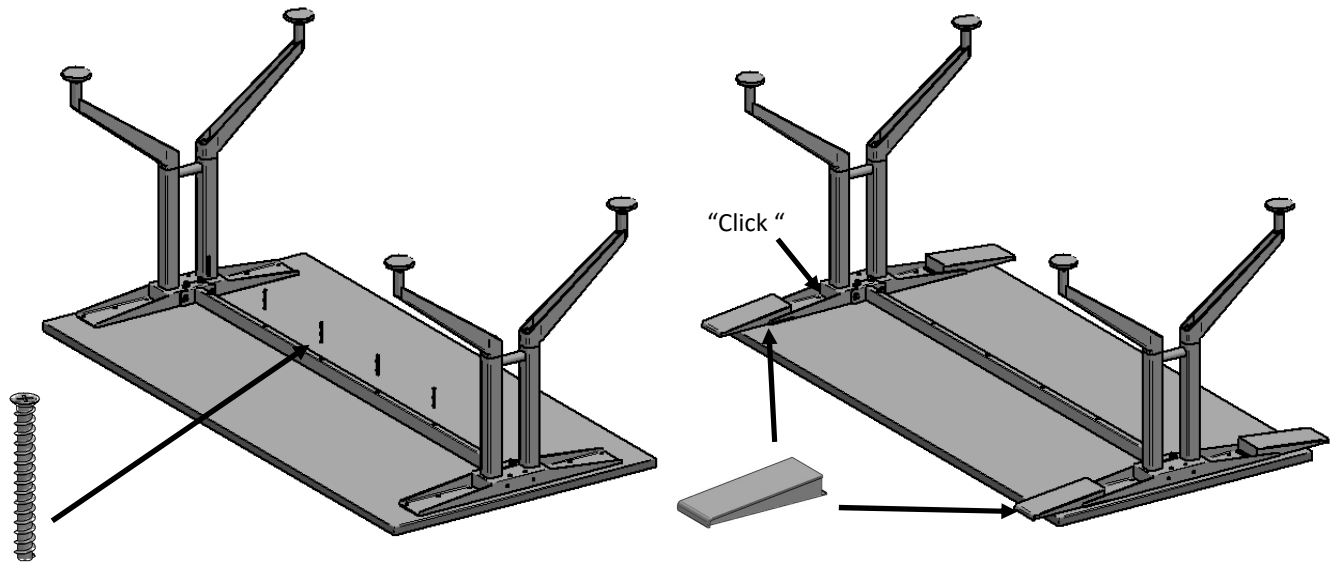
STEP 2: Place Part 1 on the table top. The holes on Part 1 will match the pre-drilled holes on the table top.



STEP 4: Attach Part 2 to Part 1. Using Part 5 and Part 9.



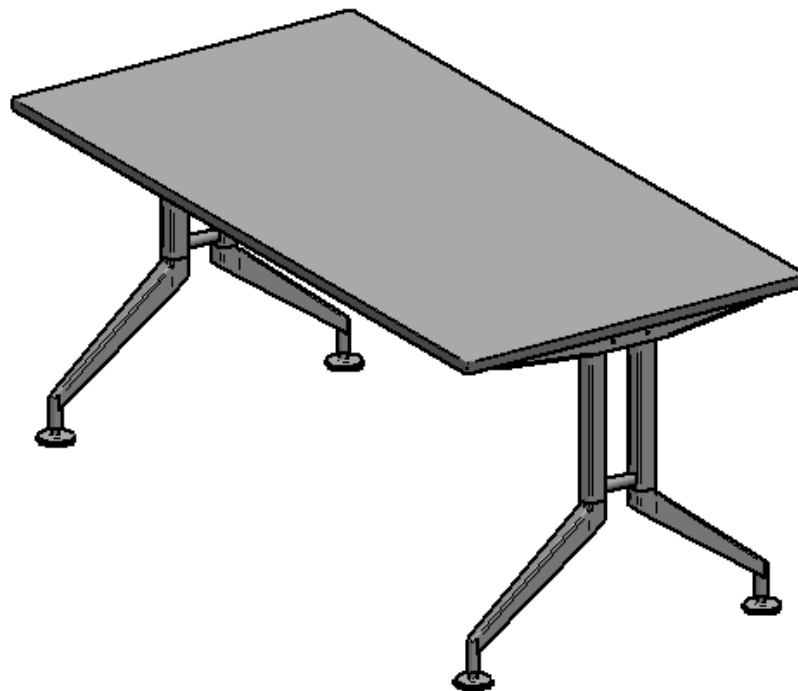
STEP 6: Attach Part 4 to the table top, using Part 7.

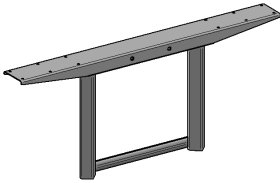
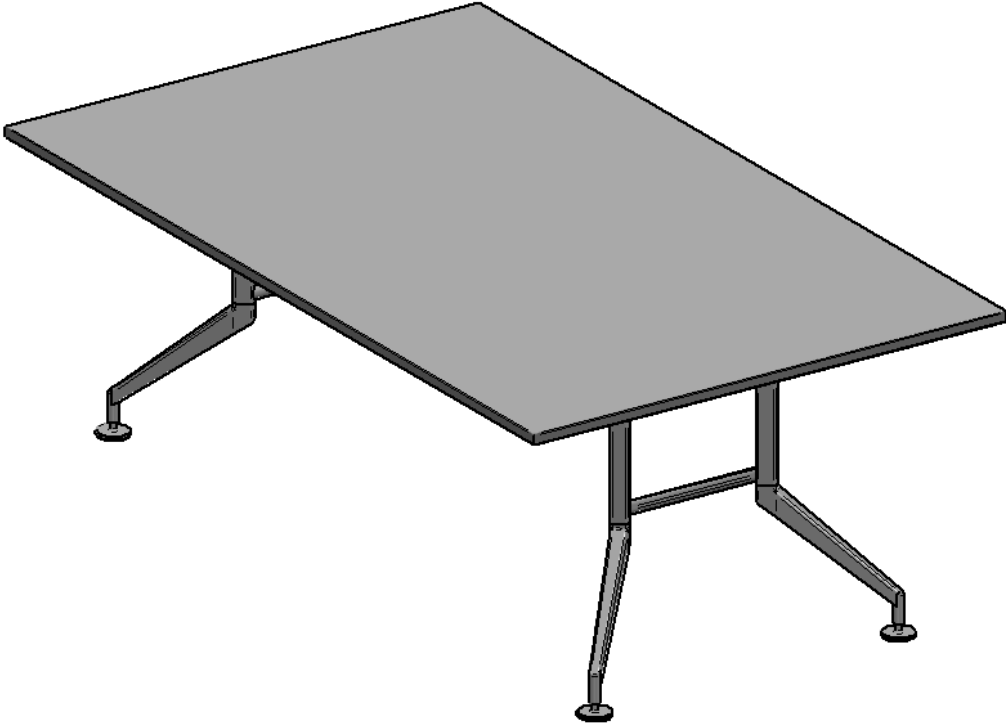


Part 6

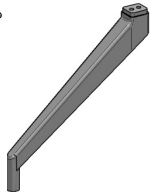
STEP 7: Attach the beam to the table top. Using part 6.

STEP 8: Install Part 3. Make sure it "clicks" to confirm it is installed correctly.

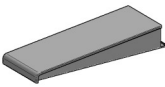




Part 1 (x2)



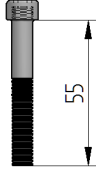
Part 2 (x4)



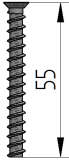
Part 3 (x4)



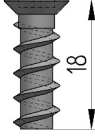
Part 4 (x4)



Part 5 (x8)



Part 6 (x10/12)



Part 7 (x36/48)



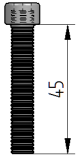
Part 8 (x16)



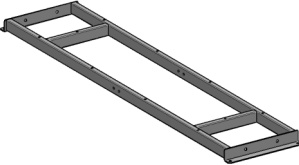
Part 9 (x12)



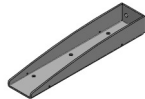
Part 10 (x8)



Part 11 (x4)



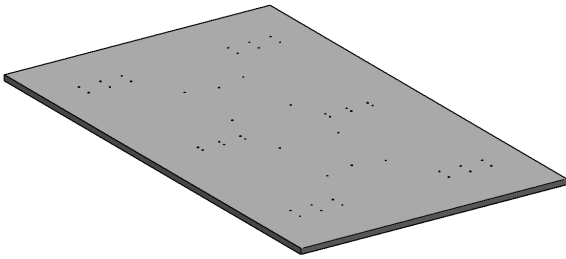
Part 12 (x1)



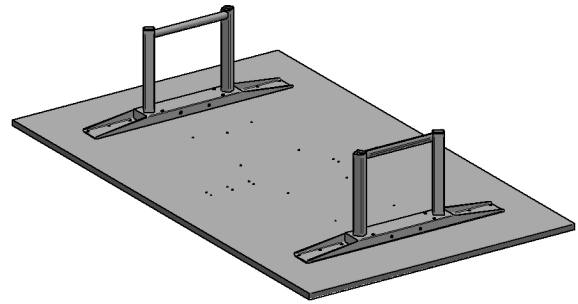
Part 13 (x2/4)



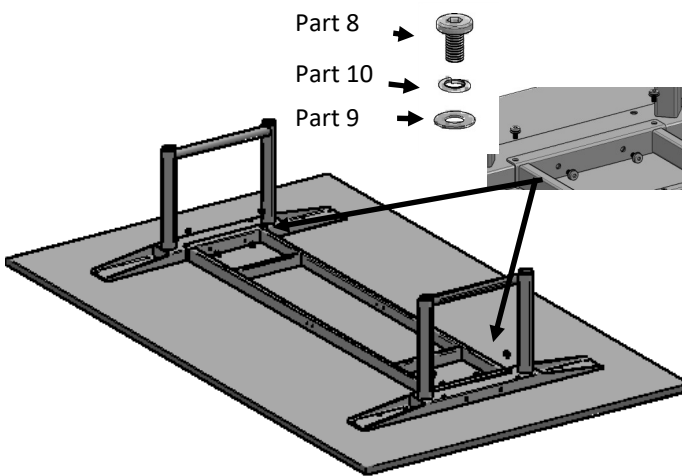
Part 14 (x2/4)



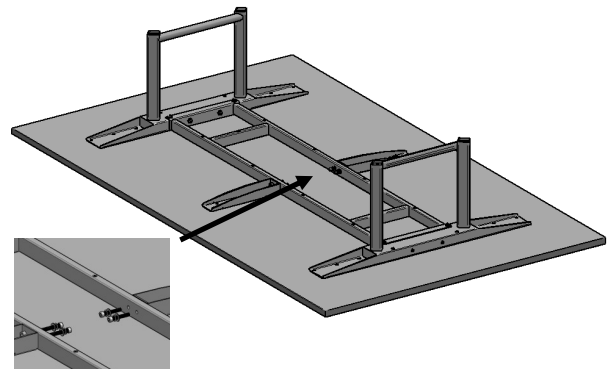
STEP 1: Place the table top face down on a clean flat surface.



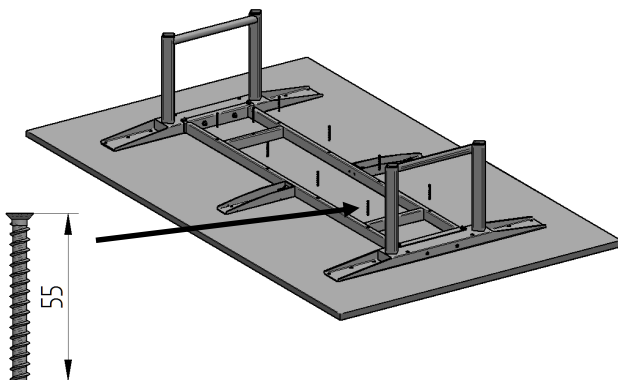
STEP 2: Place Part 1 on the table top. The holes on Part 1 will match the pre-drilled holes on the table top.



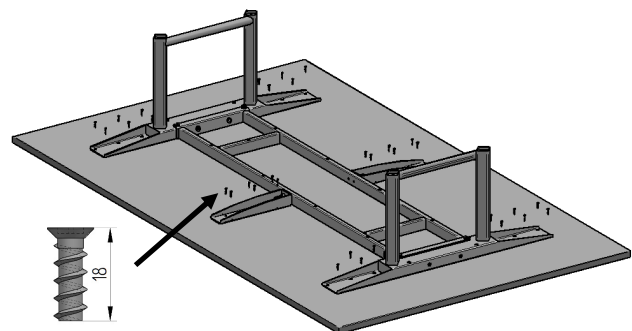
STEP 3: Attach Part 12 to Part 1. Using Part 8,10,9.



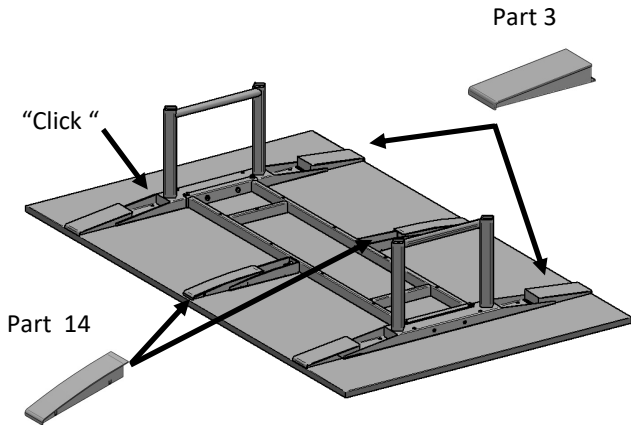
STEP 4: Attach Part 13 to Part 12. Using Part 11 and Part 9.



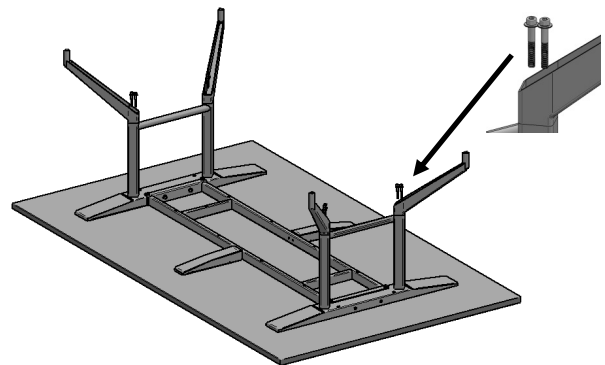
STEP 5: Attach Part 12 to the table top. Using Part 6.



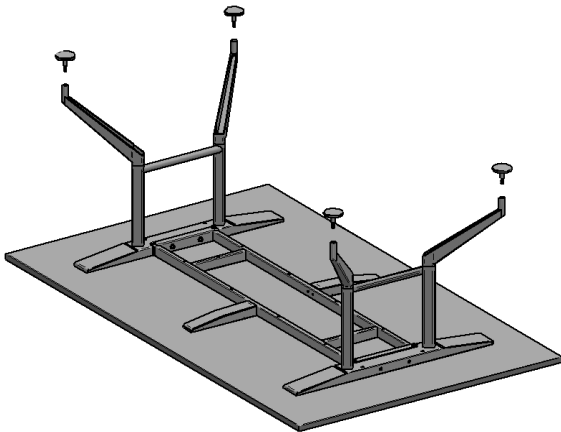
STEP 6: Attach Part 12 and Part 13 to the table top. Using Part 7.



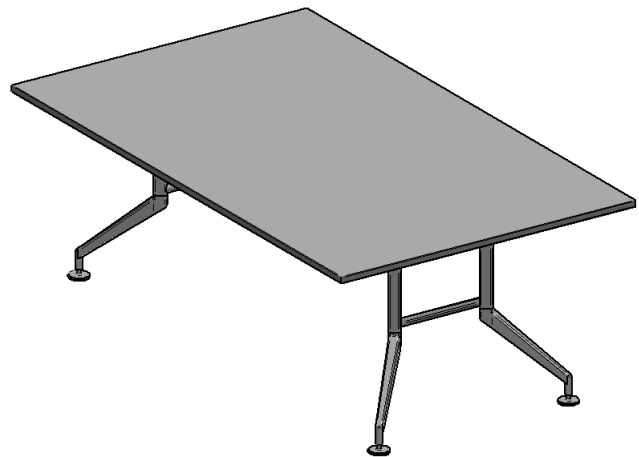
STEP 7: Install Part 3 and Part 14. Make sure it "clicks" to confirm it is installed correctly.



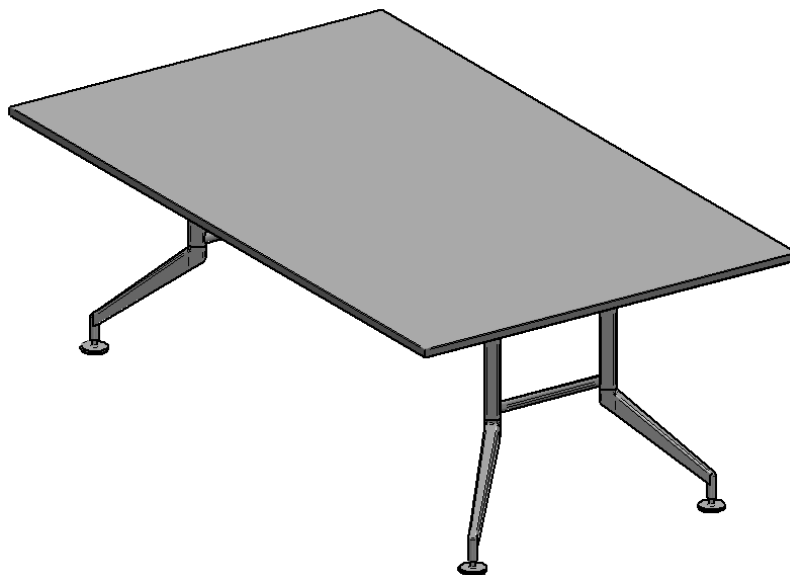
STEP 8: Attach Part 2 to Part 1. using Part 5 and Part 9.



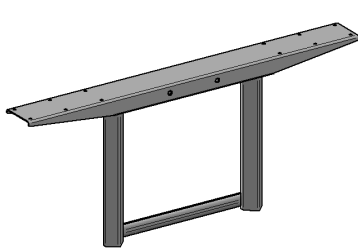
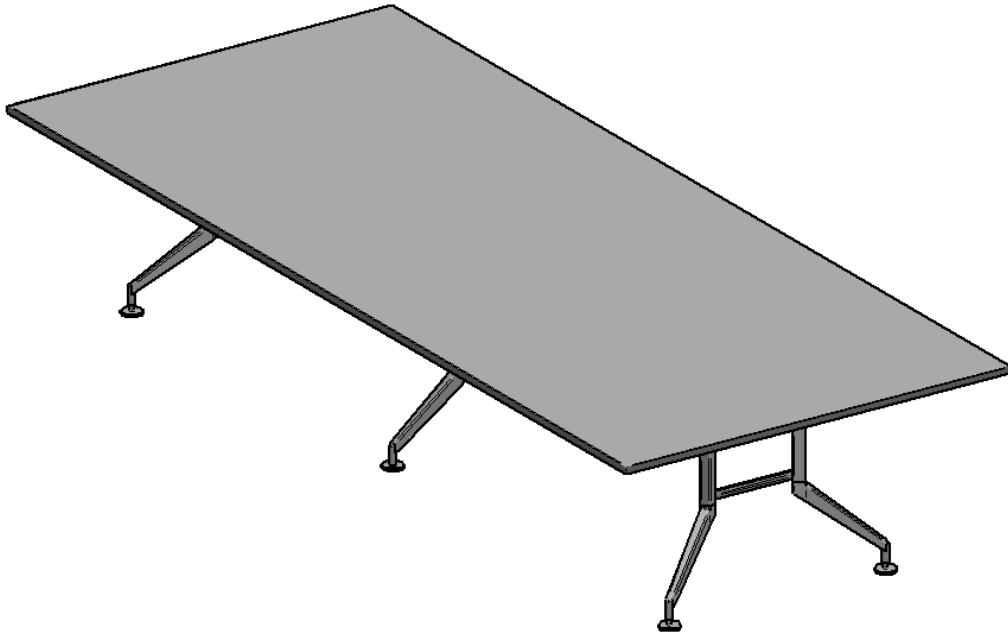
STEP 9: Install Part 4.



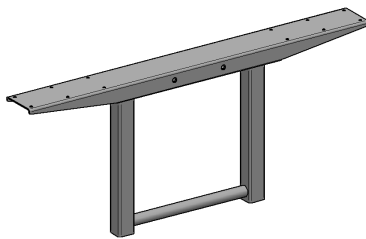
STEP 10: Rotate the table to upright position.



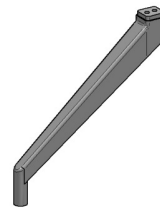




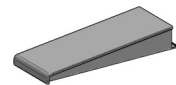
Part 1 (x2)



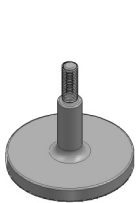
Part 15 (x1/2)



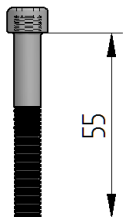
Part 2 (x6)



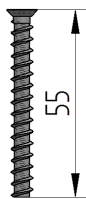
Part 3 (x6)



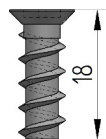
Part 4 (x6)



Part 5 (x12/16)



Part 6 (x20)



Part 7 (x60)



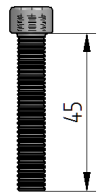
Part 8 (x16)



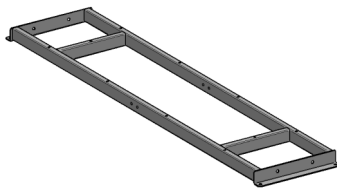
Part 9 (x16)



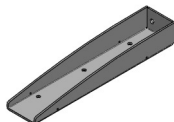
Part 10 (x16)



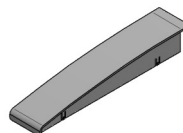
Part 11 (x4/8/16)



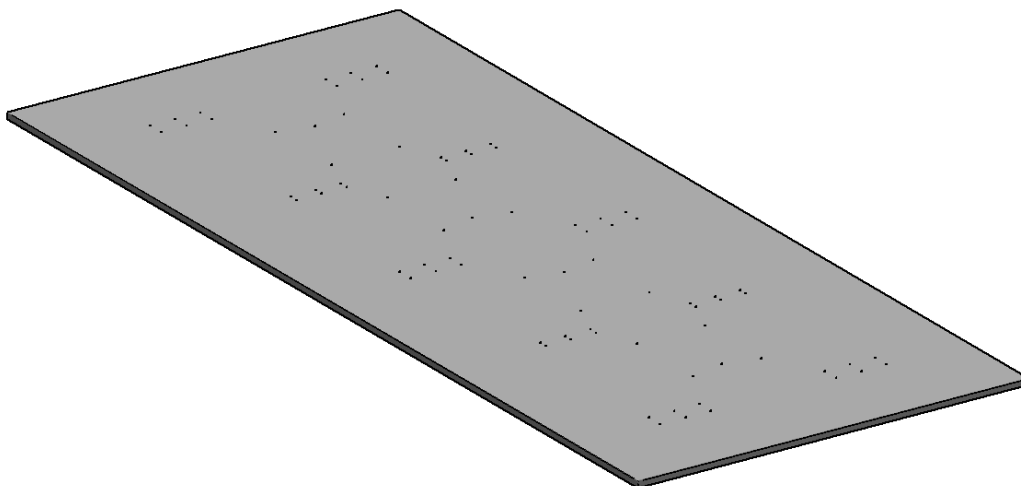
Part 12 (x2/3/4)



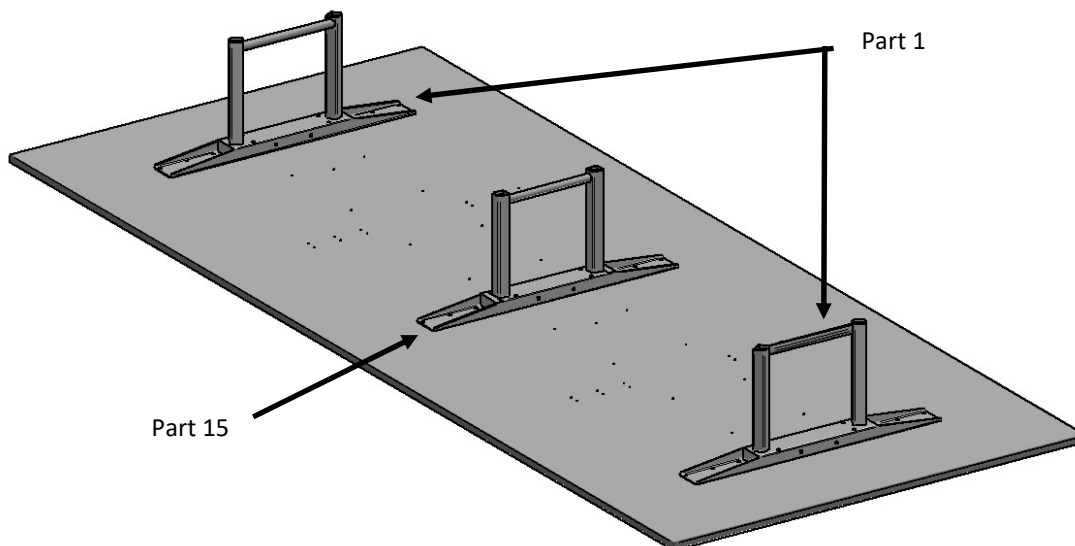
Part 13 (x4/8)



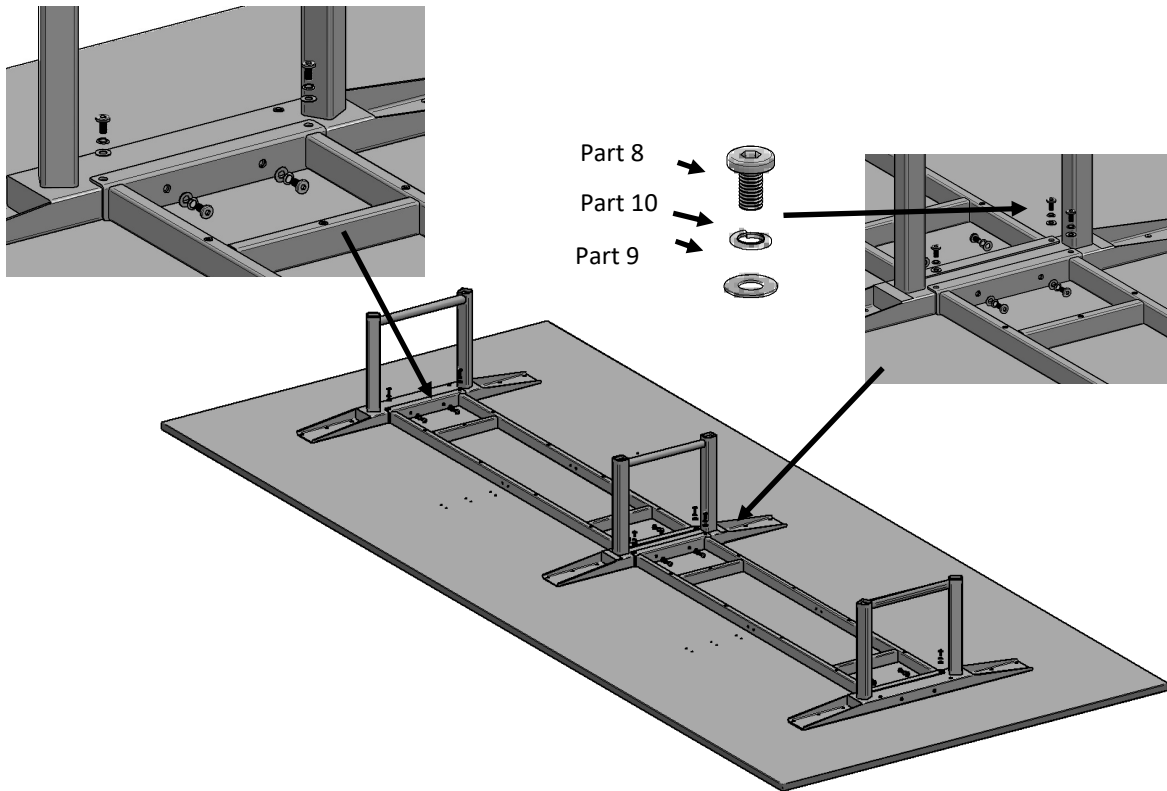
Part 14 (x4/8)



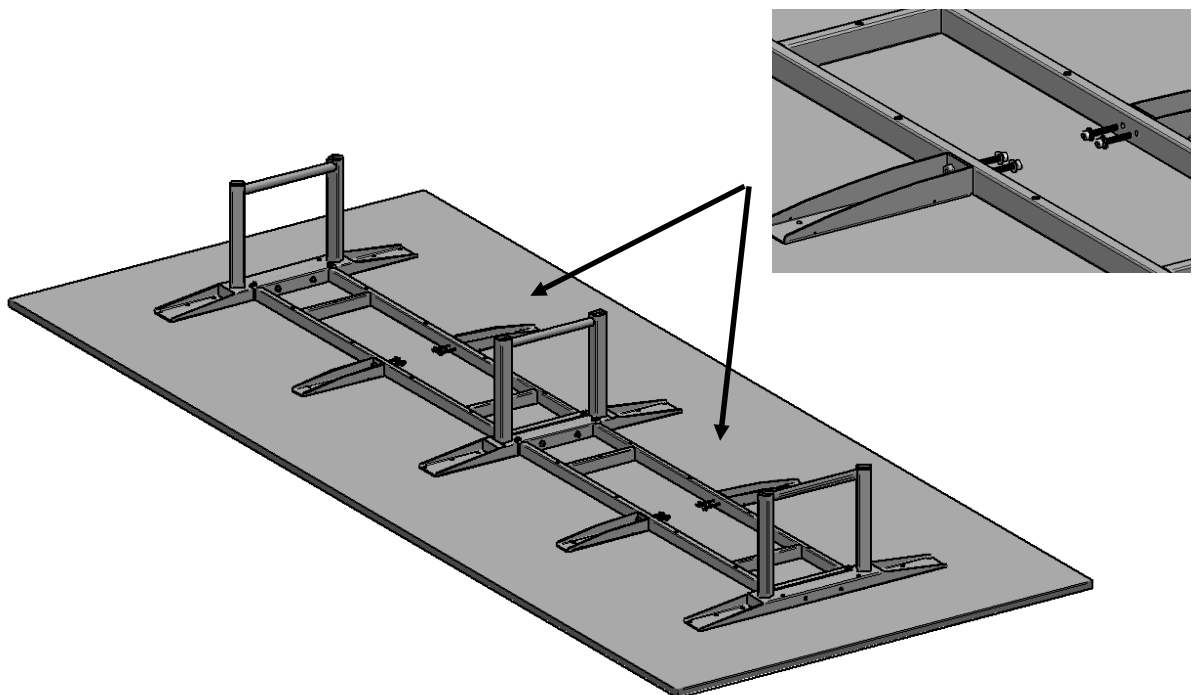
STEP 1: Place the table top face down on a clean flat surface.



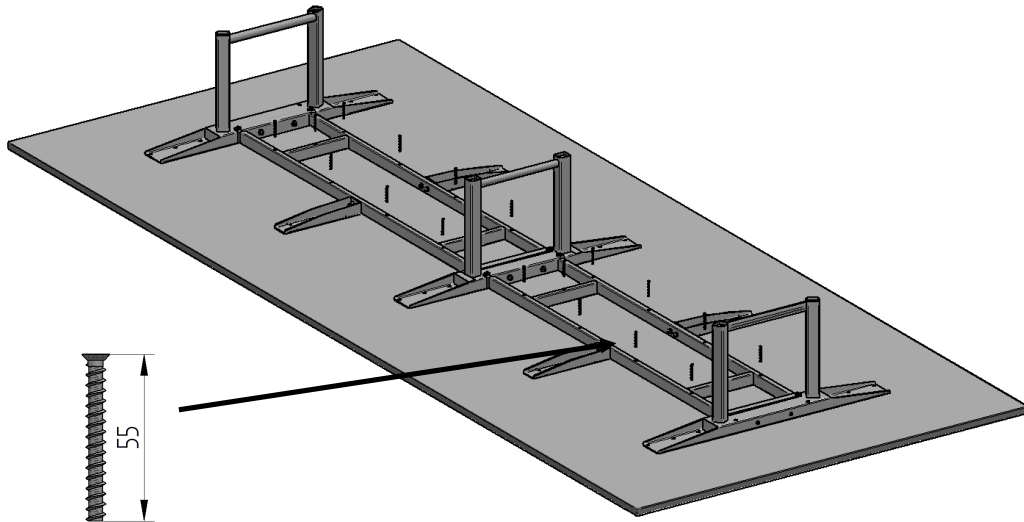
STEP 2: Place Part 1 and Part 15 on the table top. The holes on Part 1 and Part 15 will match the pre-drilled holes on the table top.



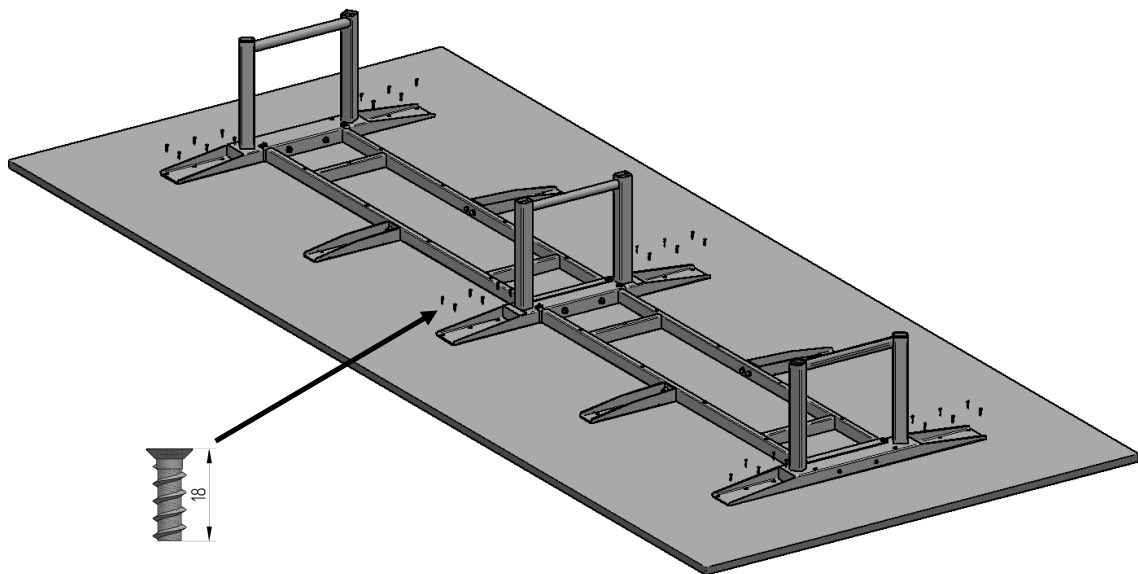
STEP 3: Attach Part 12 to Part 1. Using Part 8,10,9.



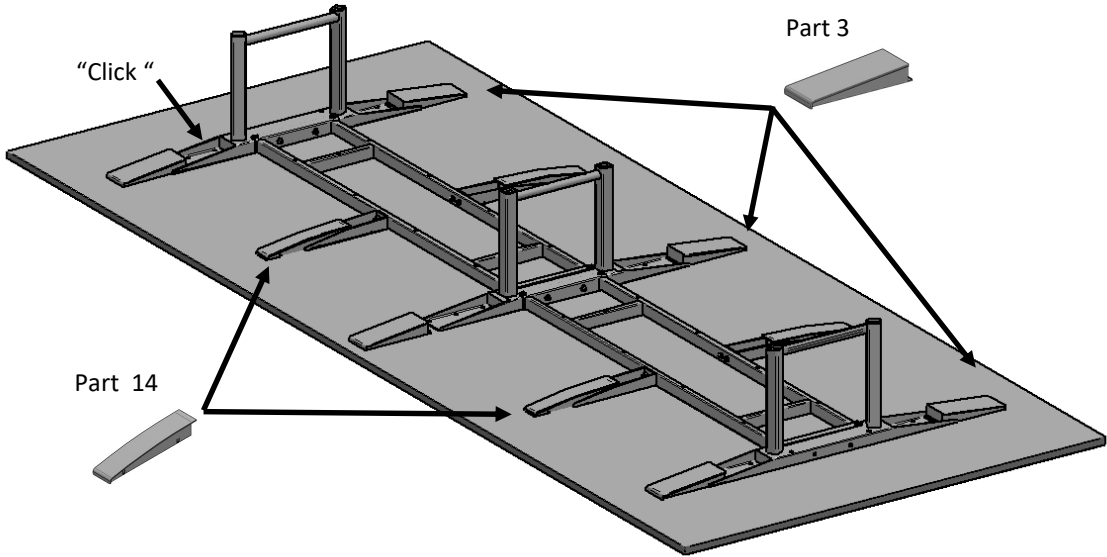
STEP 4: Attach Part 13 to Part 12. Using Part 11 and Part 9.



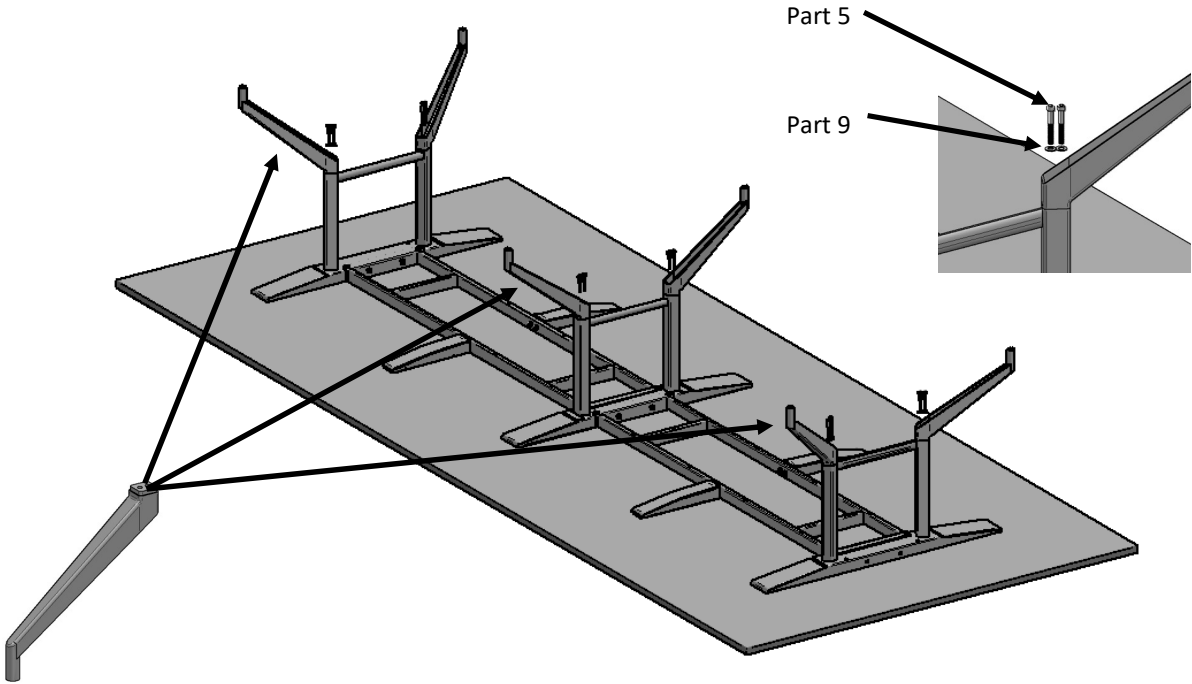
STEP 5: Attach Part 12 to the table top. Using Part 6.



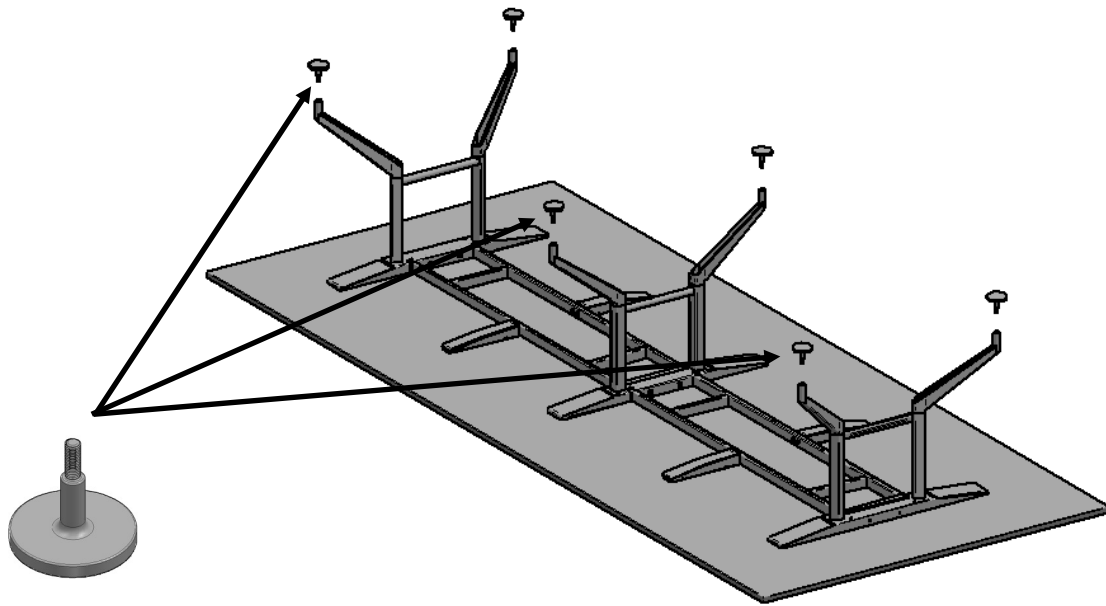
STEP 6: Attach Part 12 and Part 13 to the table top. Using Part 7.



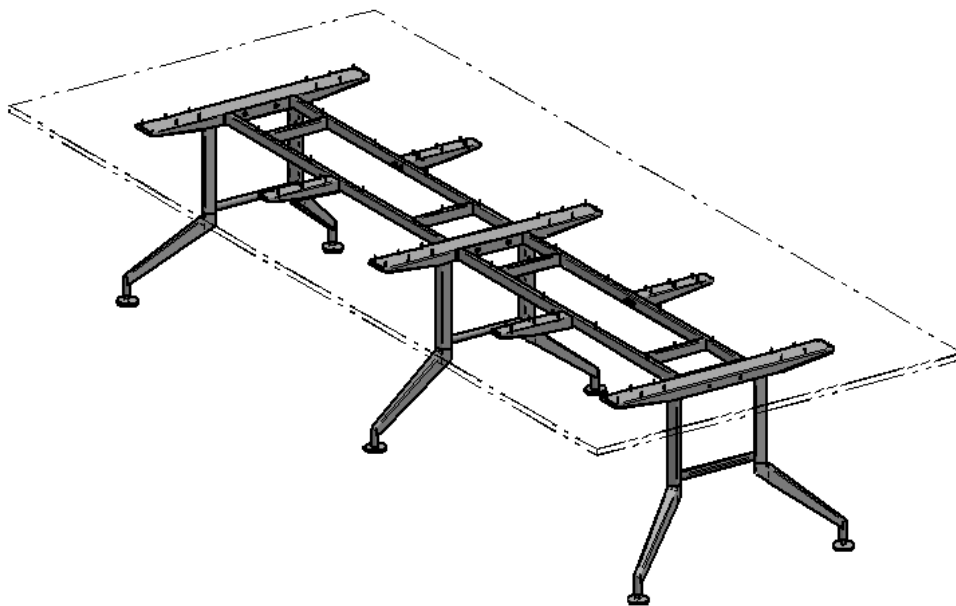
STEP 7: Install Part 3 and Part 14. "Make sure it "clicks" to confirm it is installed correctly."



STEP 8: Attach Part 2 to Part 1. using Part 5 and Part 9.



STEP 9: Install Part 4.



STEP 10: Rotate the table to upright position.