

# MEMO TABLE **ASSEMBLY GUIDE**

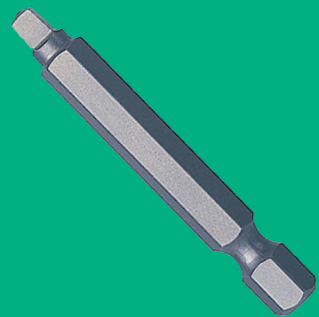




**Tools Required**



Battery Drill

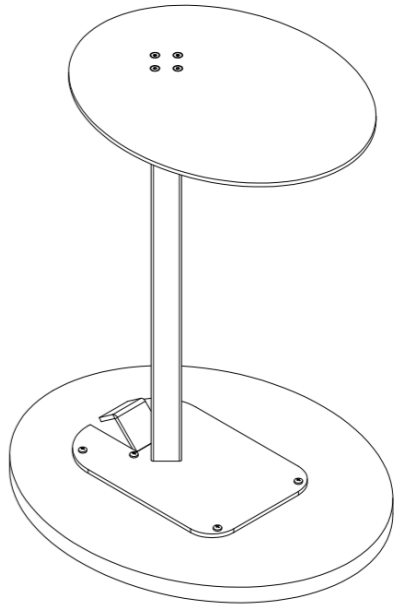
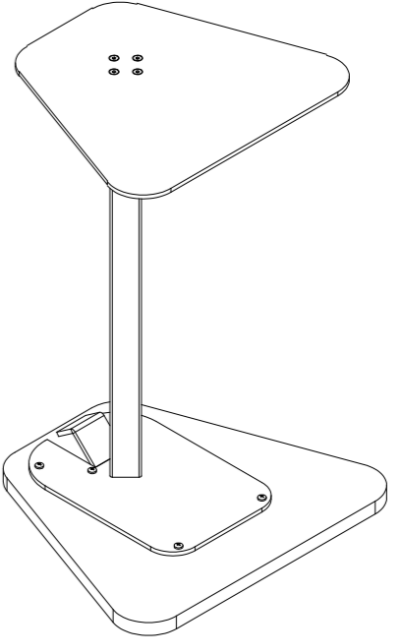


#3 Square Drive Bit



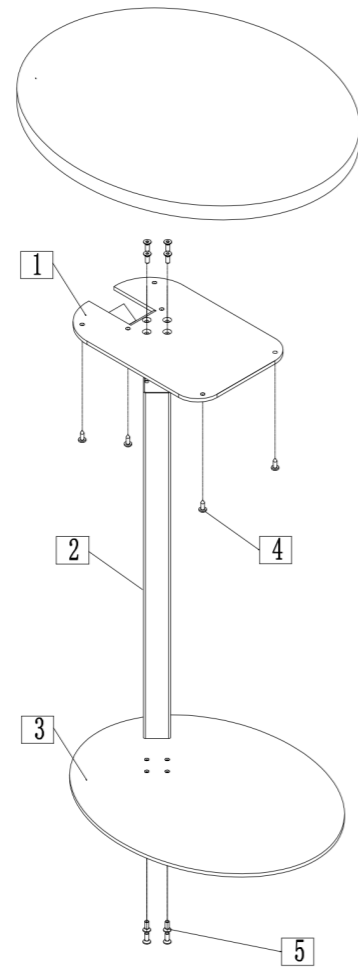
4mm Hex Key

# TABLE OF CONTENTS

TABLE	PAGE	IMAGE
Oval Base		
Trapezium Base		

# OVAL BASE

## Memo Laptop Table



### PACKING LIST

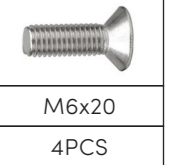
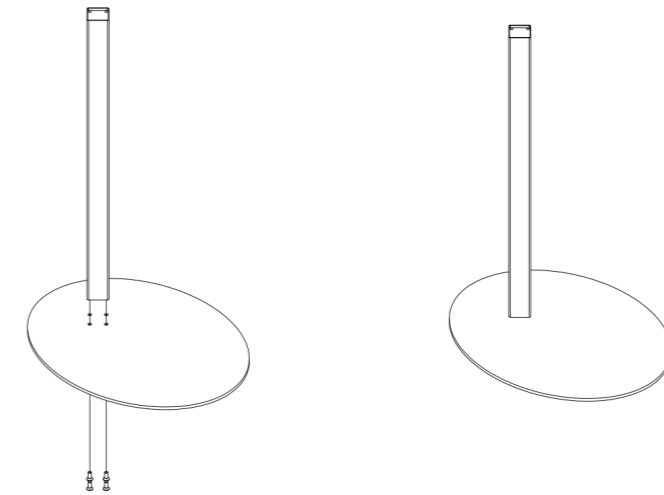
NO.	HARDWARE SECTION	QUANTITY
1	Top Plate	1pc
2	Column	1pc
3	Base	1pc

NO.	ACCESSORY PACKAGE	QUANTITY
4	Screw ST6x20	6pcs
5	Bolt M6x20	8pcs

# OVAL BASE

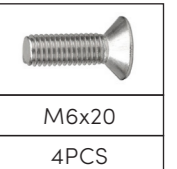
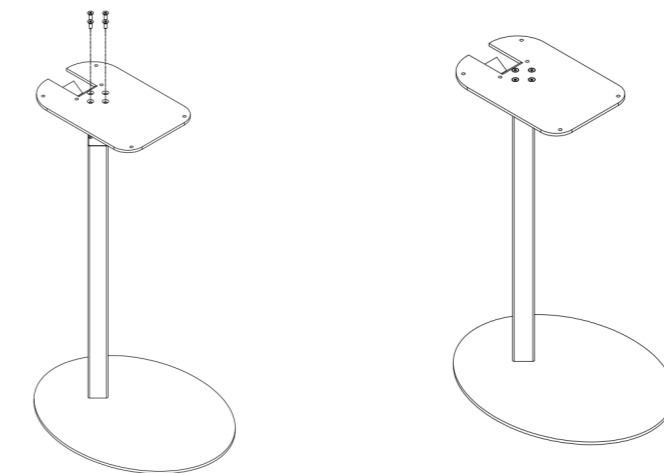
## ASSEMBLY INSTRUCTION

### STEP 1



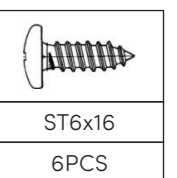
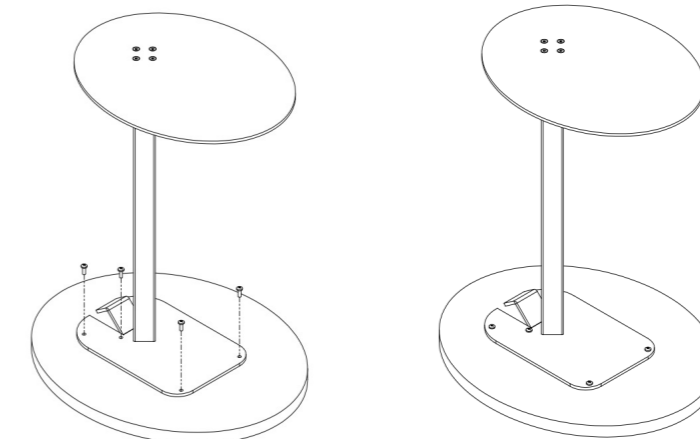
Install Base with M6x20.

### STEP 2



Install Top Plate with M6x20.

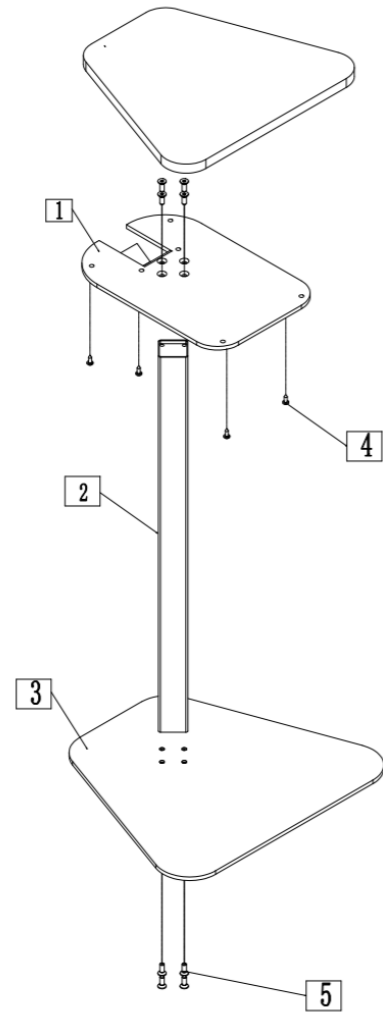
### STEP 3



Install Desktop.

# TRAPEZIUM BASE

Memo Laptop Table



## A. PACKING LIST

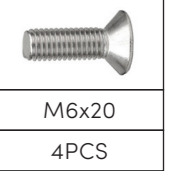
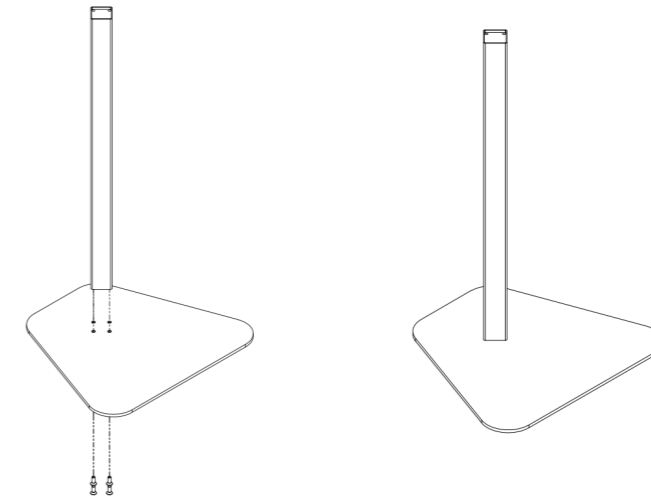
NO.	HARDWARE SECTION	QUANTITY
1	Top Plate	1pc
2	Column	1pc
3	Base	1pc

NO.	ACCESSORY PACKAGE	QUANTITY
4	Screw ST6x20	6pcs
5	Bolt M6x20	8pcs

# OVAL BASE

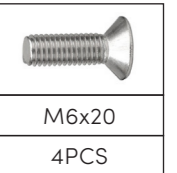
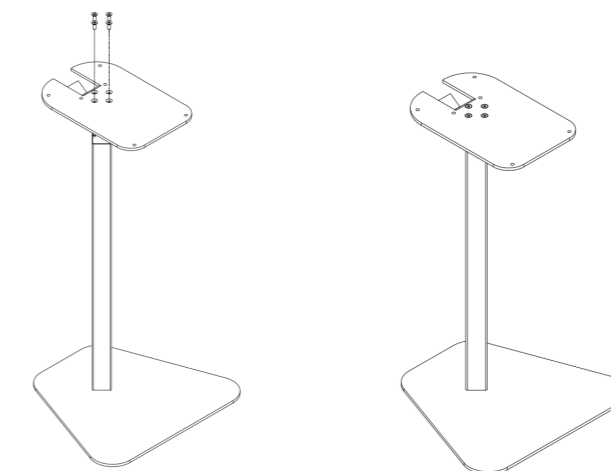
## ASSEMBLY INSTRUCTION

### STEP 1



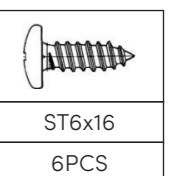
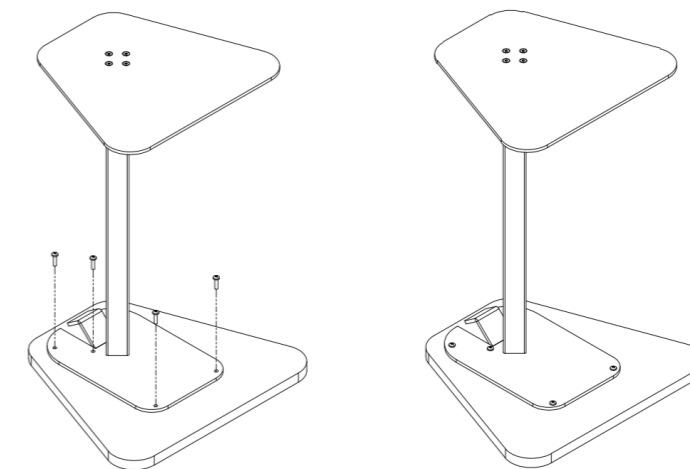
Install Base with M6x20.

### STEP 2



Install Top Plate with M6x20.

### STEP 3



Install Desktop.

# FACTSHEET

## CARE & MAINTENANCE

### GENERAL CARE – INFORMATION

- Avoid scourers and abrasives as they will damage the surface.
- Don't place hot objects, electrical appliances or pots straight from the oven or cooker onto your laminate surface.
- Don't cut on the laminate surface.
- Keep waxes and polishes well away as they dull the natural shine.
- Do not use strongly acidic, alkaline cleaners or bleach for normal cleaning as these might etch the surface.

### GENERAL CARE – STREAKS

Streaky marks sometimes show on dark colours after cleaning. An all-purpose cleaner such as Mr. Muscle Surface & Glass or Ajax Spray n Wipe usually removes them.

### GENERAL CARE – GREASE

Using a mild dishwashing detergent in water will remove greasy marks. Dab, wait and wipe away. Finish with an all-purpose cleaner such as Mr. Muscle Surface & Glass or Ajax Spray n Wipe.

### GENERAL CARE – SPILLS

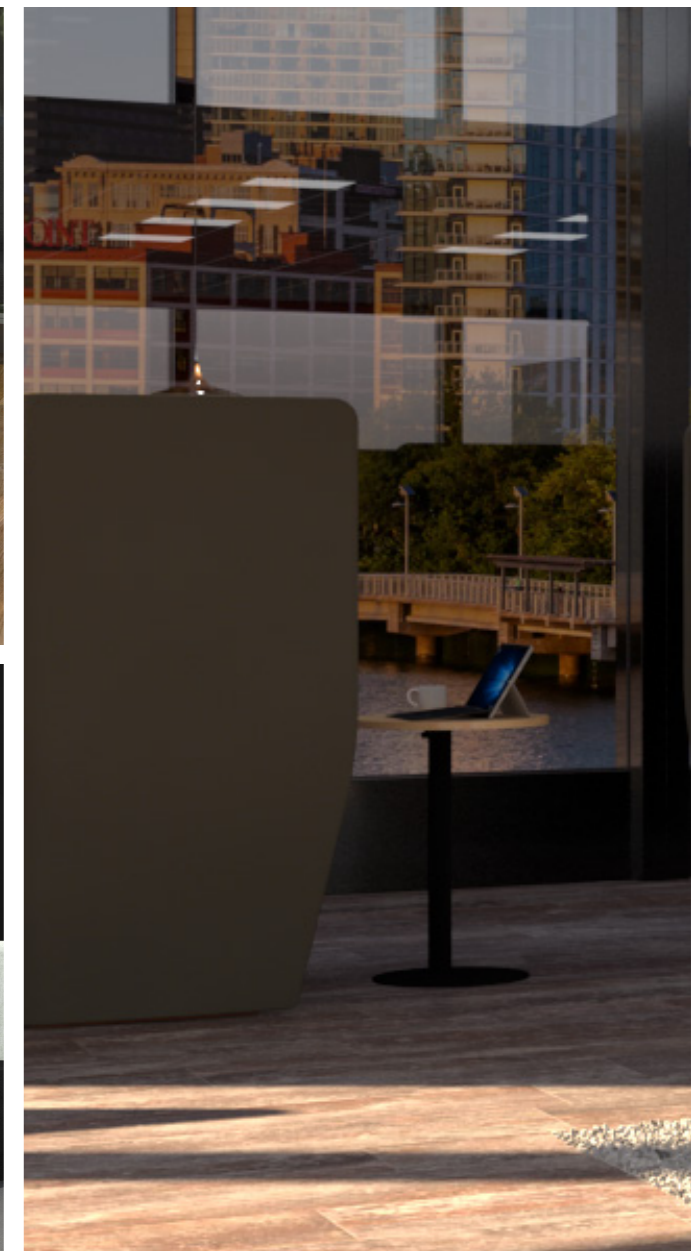
Laminate surfaces resist staining from most household chemicals. With some accidental spills however, prompt action is essential. Wipe off beetroot, grape and berry juices, first aid preparations, concentrated bleach, oven cleaners, dishwasher detergents, artificial dyes, hair colouring and solvent based pen ink immediately. Specialty glues such as Super Glue must also be removed straight away with acetone (nail polish remover).

### GENERAL CARE – STAINS

If the stain won't budge with Mr. Muscle Surface & Glass, try methylated spirits or dab the stain with a diluted bleach mixture (1 part bleach to 8 parts water); leave for 3 minutes then wash off with water and dry. Finish off with Mr. Muscle Surface & Glass. Only as a last resort if a stain persists try 2 or 3 rubs with a crème cleanser or white toothpaste, wash and dry. Please note that bleach or these abrasive cleaners may irreversibly damage the laminate surface.

### GENERAL CARE – SCRATCHES

Laminate surfaces will withstand normal wear and tear, but can be damaged by scratching or cutting with utensils, knives and unglazed pottery. Darker colours will show scratches more readily than lighter colours. In general, dark colours and high gloss surfaces require more care and maintenance than lighter colours or lower gloss colours. To minimise scratching, always place and lift objects from the surface – never drag or slide them across the surface.





0800 126 826

[support@accentworkspaces.co.nz](mailto:support@accentworkspaces.co.nz)

22 Hood Street Wellsford, Auckland 0900 New Zealand