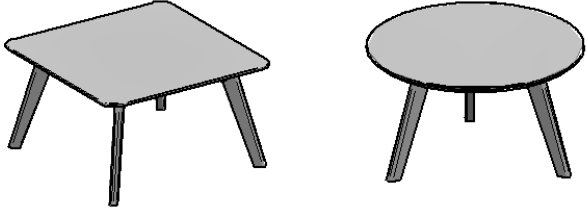
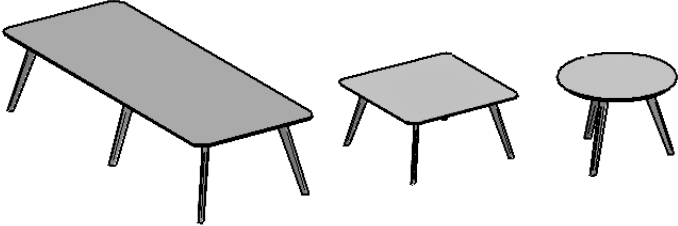



# OSLO TABLE **ASSEMBLY GUIDE**



# TABLE OF CONTENTS

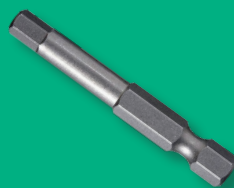
CONFIGURATION	PAGE	IMAGE
Oslo Coffee Table (3/4 Leg)	3	
Oslo Meeting Table (3/4/6 Leg)	4	
Oslo Bar Leaner	5	



## Tools Required



Battery Drill



4mm Hex Bit

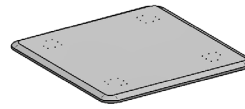
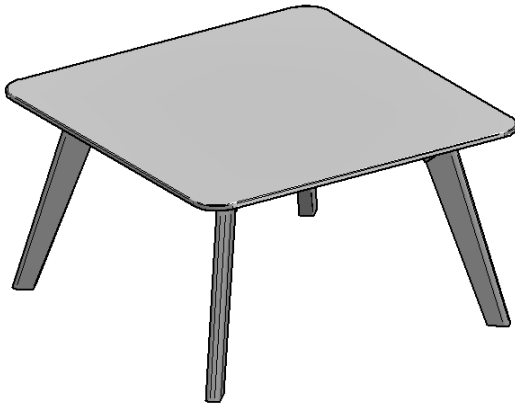


4mm Hex Key

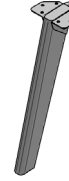
# OSLO COFFEE TABLE

## 3-4 LEG

### PARTS LIST:



1pc  
Table Top

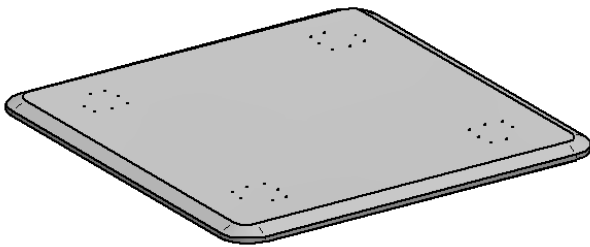


3pcs or 4pcs  
Oslo Coffee  
Table Leg



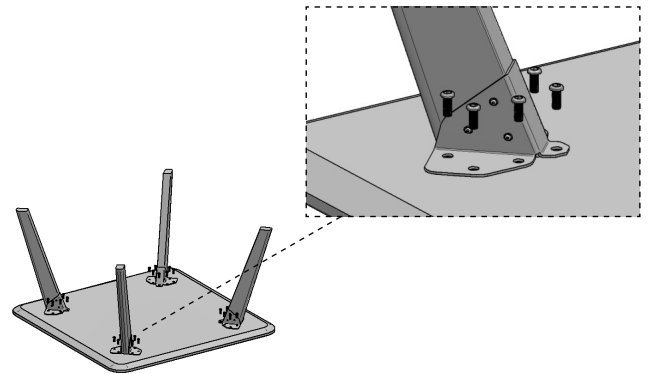
9pcs/leg  
M6 x 16 Bolt

### STEP 1



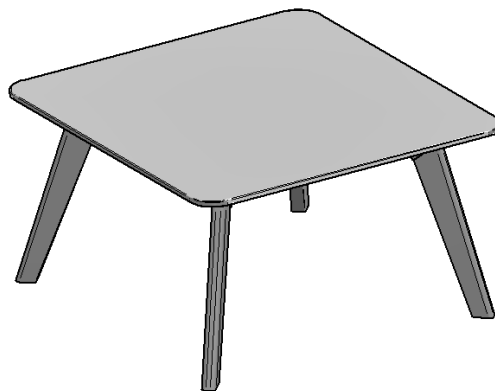
Place the table top face down on a clean flat surface.

### STEP 2



Attach the leg to the table top by using the M6 Bolts.

### STEP 3

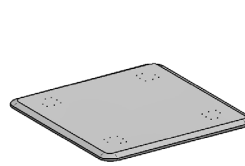
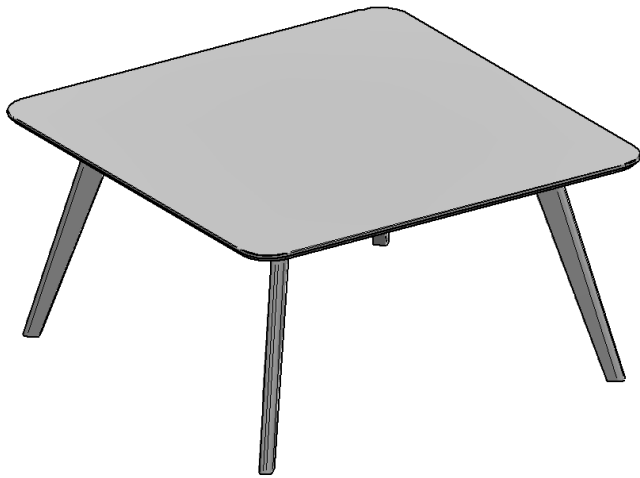


Rotate the table to upright position.

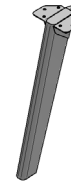
# OSLO MEETING TABLE

## 3-4-6 LEG

### PARTS LIST:



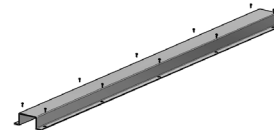
1pc  
Table Top



3pcs, 4pcs or 6pcs  
Oslo Table Leg

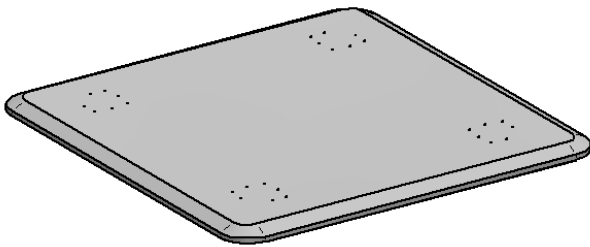


9pcs/leg  
M6 x 16 Bolt



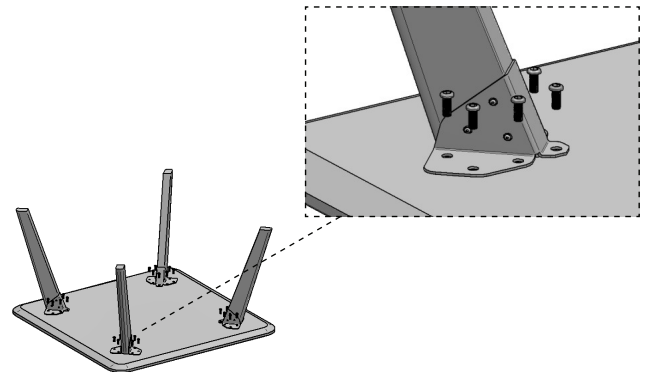
1pc or 2pcs  
Table Stiffener with wood screws  
*\*Used on 4 and 6 Leg Tables\**

### STEP 1



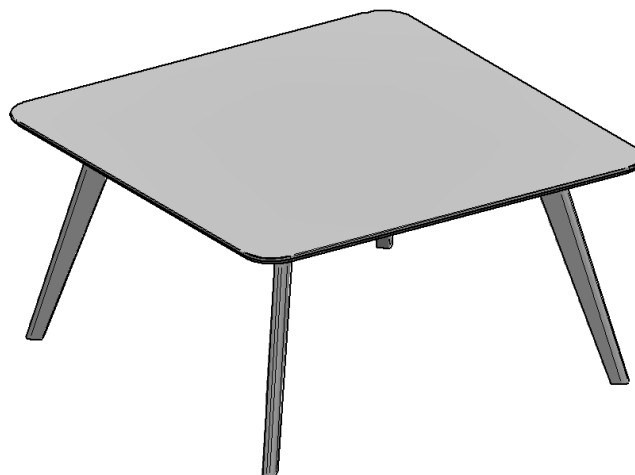
Place the table top face down on a clean flat surface.

### STEP 2



Attach the leg to the table top by using the M6 Bolts.

### STEP 3

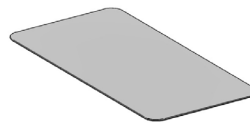


Rotate the table to upright position.

# OSLO BAR LEANER



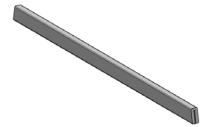
## PARTS LIST:



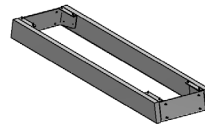
1pc Table Top



2pcs Oslo Leaner Leg Frame



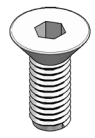
1pc Bottom Rail



1pc Top Beam Set

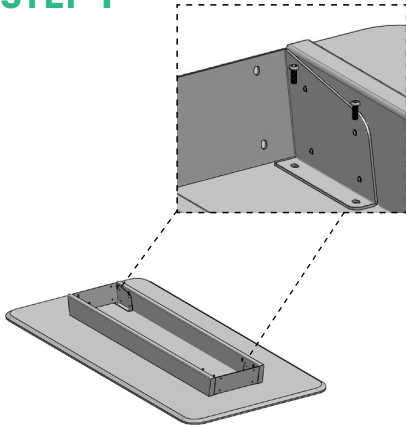


8pcs M6 x 16



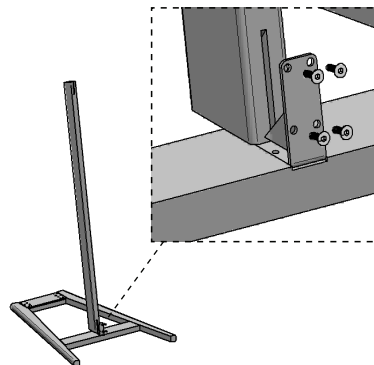
8pcs M6 x 16 CSK

### STEP 1



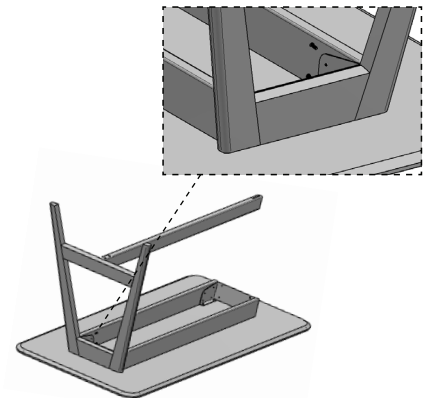
Place the table top upside down on a clean flat surface. Attach the top beam set to the table top using the M6 x 16 Bolts.

### STEP 2



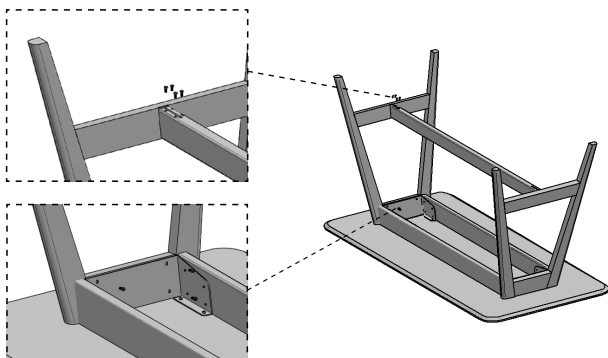
Place a leg frame on clean flat surface and attach the foot rail to it using the M6 x 16 CSK Bolts.

### STEP 3



Attach the leg frame to the end of the top beam set. Using the M6 x 16mm Bolts.

### STEP 4



Attach the other leg frame to the top frame. Using the M6 x 16 bolts and attach the foot rail to the end leg using the M6 x 16 Bolts

### STEP 5



Rotate the table to upright position.

# FACTSHEET

## CARE & MAINTENANCE

### GENERAL CARE – INFORMATION

- Avoid scourers and abrasives as they will damage the surface.
- Don't place hot objects, electrical appliances or pots straight from the oven or cooker onto your laminate surface.
- Don't cut on the laminate surface.
- Keep waxes and polishes well away as they dull the natural shine.
- Do not use strongly acidic, alkaline cleaners or bleach for normal cleaning as these might etch the surface.

### GENERAL CARE – STREAKS

Streaky marks sometimes show on dark colours after cleaning. An all-purpose cleaner such as Mr. Muscle Surface & Glass or Ajax Spray n Wipe usually removes them.

### GENERAL CARE – GREASE

Using a mild dishwashing detergent in water will remove greasy marks. Dab, wait and wipe away. Finish with an all-purpose cleaner such as Mr. Muscle Surface & Glass or Ajax Spray n Wipe.

### GENERAL CARE – SPILLS

Laminate surfaces resist staining from most household chemicals. With some accidental spills however, prompt action is essential. Wipe off beetroot, grape and berry juices, first aid preparations, concentrated bleach, oven cleaners, dishwasher detergents, artificial dyes, hair colouring and solvent based pen ink immediately. Specialty glues such as Super Glue must also be removed straight away with acetone (nail polish remover).

### GENERAL CARE – STAINS

If the stain won't budge with Mr. Muscle Surface & Glass, try methylated spirits or dab the stain with a diluted bleach mixture (1 part bleach to 8 parts water); leave for 3 minutes then wash off with water and dry. Finish off with Mr. Muscle Surface & Glass. Only as a last resort if a stain persists try 2 or 3 rubs with a crème cleanser or white toothpaste, wash and dry. Please note that bleach or these abrasive cleaners may irreversibly damage the laminate surface.

### GENERAL CARE – SCRATCHES

Laminate surfaces will withstand normal wear and tear, but can be damaged by scratching or cutting with utensils, knives and unglazed pottery. Darker colours will show scratches more readily than lighter colours. In general, dark colours and high gloss surfaces require more care and maintenance than lighter colours or lower gloss colours. To minimise scratching, always place and lift objects from the surface – never drag or slide them across the surface.

# Accent

## WARRANTY

## REGISTRATION

At Accent Group, we are committed to delivering not only exceptional products but also exceptional customer experiences. We take immense pride in crafting each item with the utmost care to meet your expectations and your purchase is backed by our 15-year Warranty (terms and conditions apply). To make the most of this extended warranty and to facilitate any future claims seamlessly, we kindly request you to complete our Warranty Registration Form by scanning the QR code below. Providing us with your details will enable us to serve you better and ensure your peace of mind throughout the warranty period.

View full Warranty details on our website – [www.accentgroup.co.nz](http://www.accentgroup.co.nz)

### CUSTOMER PRODUCT REVIEW TEAM

As a company committed to excellence, we continuously seek ways to enhance our offerings and deliver the finest in the NZ market. We invite you to take part in a Customer Product Review. Your valuable feedback matters to us, and joining the team is effortless. Approximately three months after your product delivery, one of our team members will reach out to you for a brief call. During this conversation, we will enquire about your product experience. Your insights on what's working well and what's not, whether the products have met your expectations, and if you would consider purchasing from Accent again are highly appreciated.

By joining our Customer Product Review Team, you play an integral role in shaping the future of our products, ensuring they align perfectly with your needs and preferences. Your voice will guide us in crafting even better offerings that resonate with customers like you.

We are truly excited about this opportunity to collaborate with you closely.

If you wish to participate in the program, please tick YES when you complete your Warranty Registration. Every quarter we'll select 4-5 customers to take part in the 3 month product review each customer we receive feedback from will receive a \$50 Prezzy card.

Don't hesitate to reach out to us if you have any queries or need assistance, give our team a call on 0800 826 126. Thank you again for choosing Accent Group products.

Best regards,  
The Accent Group Team

# Accent

SCAN TO REGISTER



0800 126 826 | [support@accentworkspaces.co.nz](mailto:support@accentworkspaces.co.nz)



**0800 126 826**

**support@accentworkspaces.co.nz**

**22 Hood Street Wellsford, Auckland 0900 New Zealand**