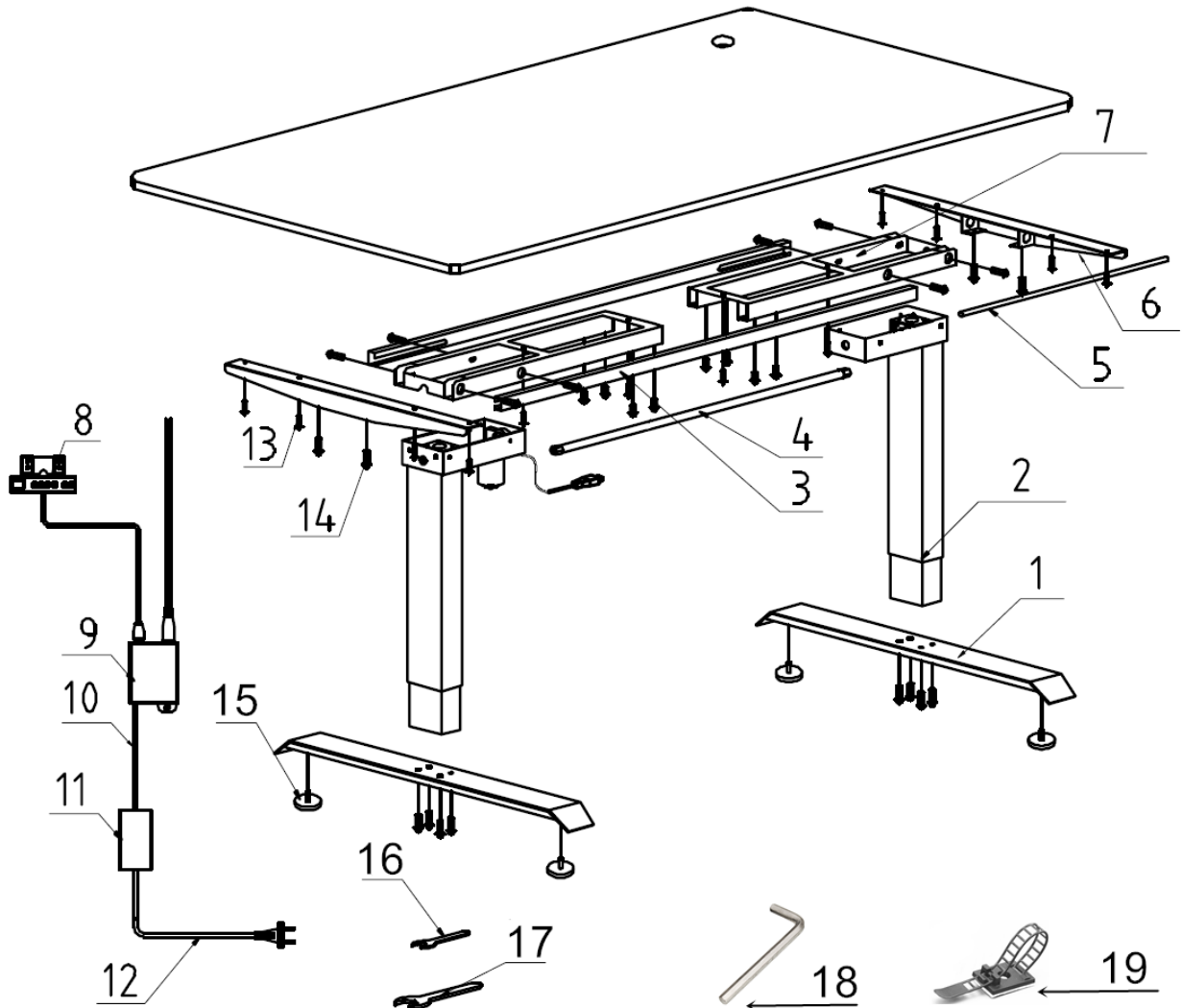


Broadway 2 Leg Desk Assembly Instructions

a. Assembly Diagram



b. Packing list

Hardware Section

- 1. Foot ----- 2pcs
- 2. Lifting Column ----- 2pcs
- 3. Extendable Tube ----- 2pcs
- 4. Transmission Tube ----- 1pcs
- 5. Hex Bar ----- 1pcs
- 6. Upper Side Support ----- 2pcs
- 7. Framework ----- 2pcs

Control Section

- 8. Handset ----- 1pc
- 9. Control Box ----- 1pc
- 10. Power Cord ----- 1pc
- 11. AC Adaptor ----- 1pc
- 12. Power Cord ----- 1pc

Accessory Package

- 13. Screw ST6x23 ----- 20pcs
- 14. Bolt M6x10 ----- 28pcs
- 15. Leveling Glide ----- 4pcs
- 16. Spanner - I (8mm) ----- 1pcs
- 17. Spanner - II (18mm) ----- 1pcs
- 18. Hex Wrench (4mm) ----- 1pcs
- 19. Cable Ties ----- 5pcs



E: sales@hurdleys.co.nz
P: 09 522 2090

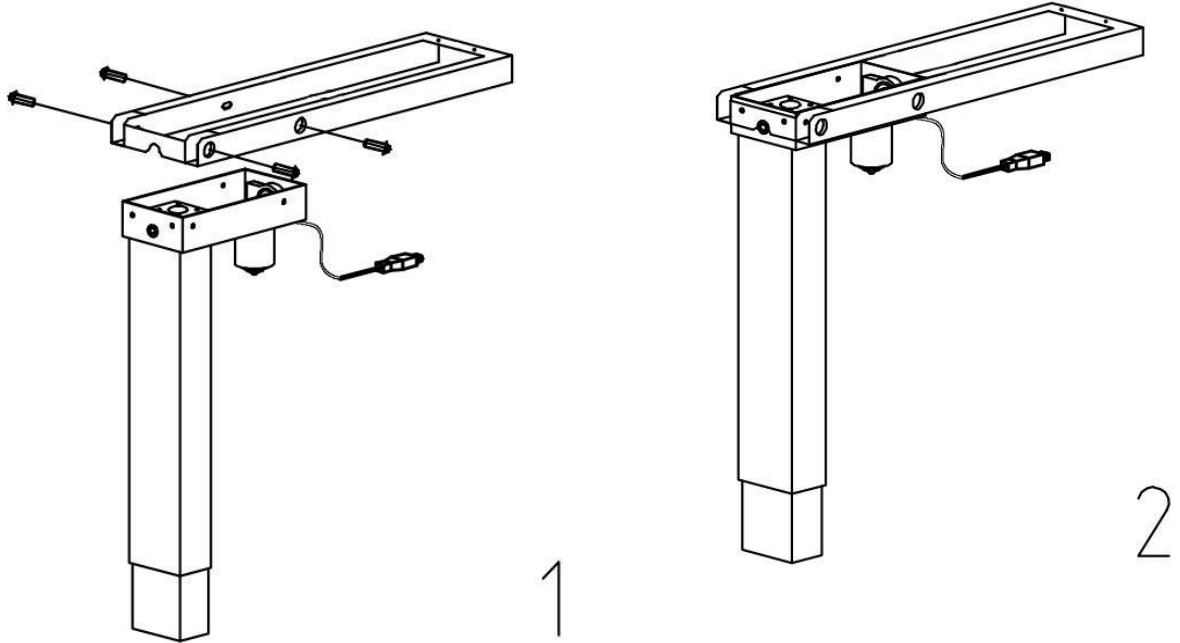
www.hurdleysofficefurniture.co.nz

Hurdleys Office Furniture
1 Clayton Street, Newmarket

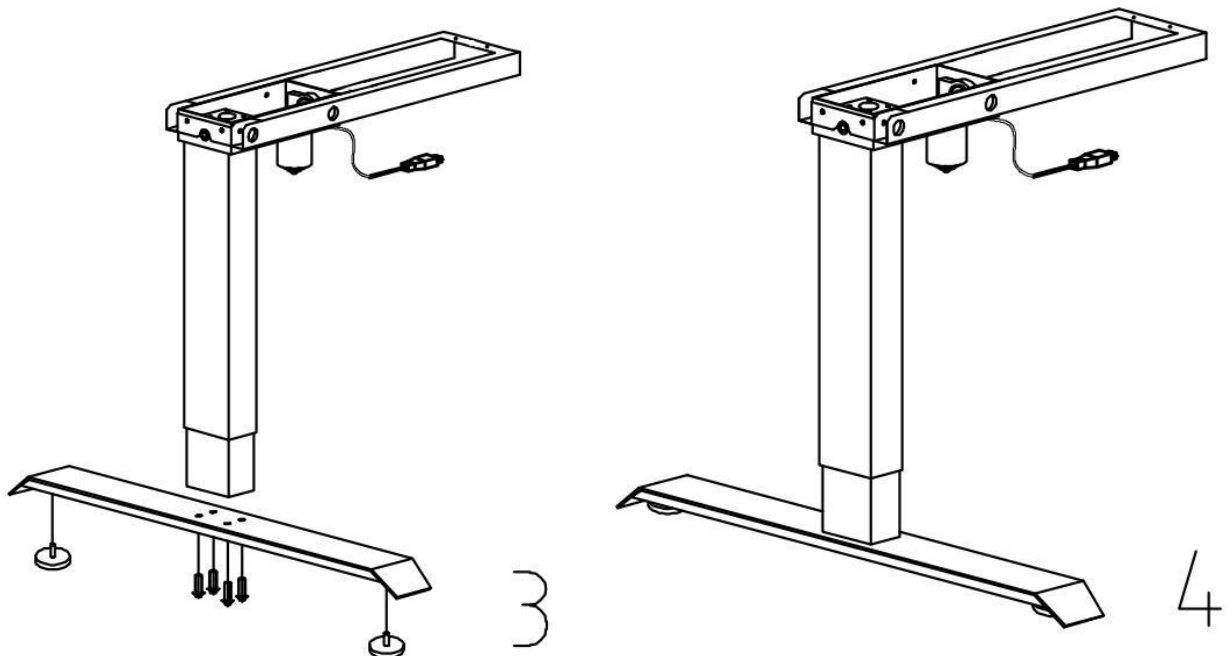
Auckland, New Zealand

c. How to install the desk.

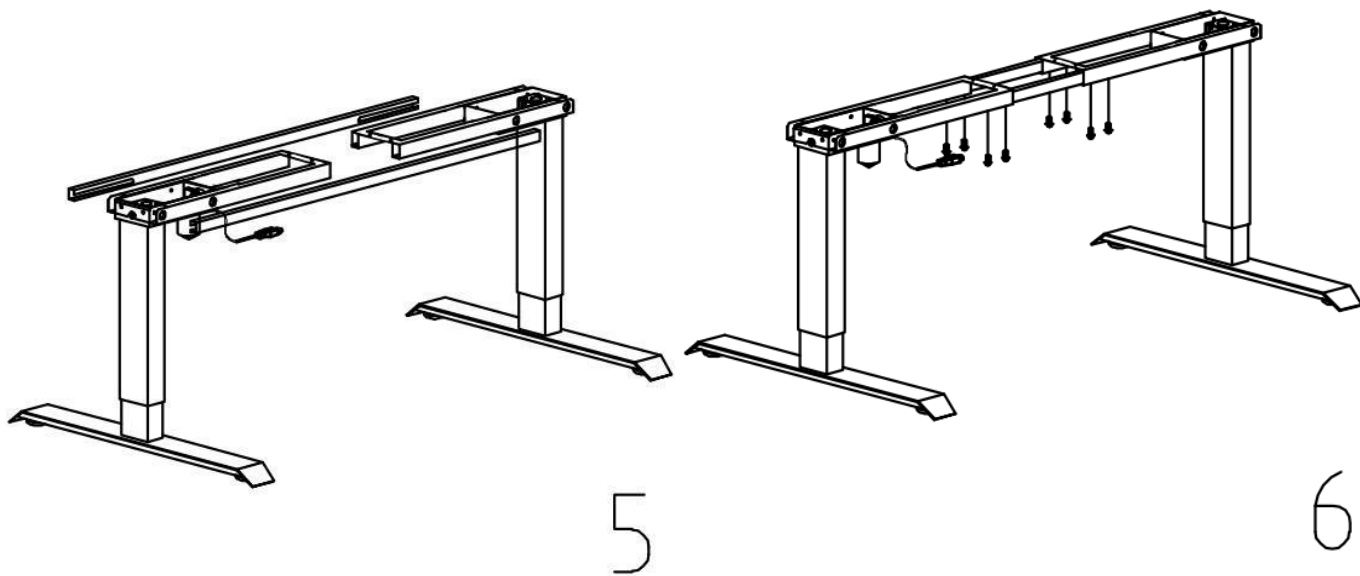
1. Install framework on lifting columns with Screw.
(Pic1 and Pic2) (Parts: 4pcs Bolt M6x10).



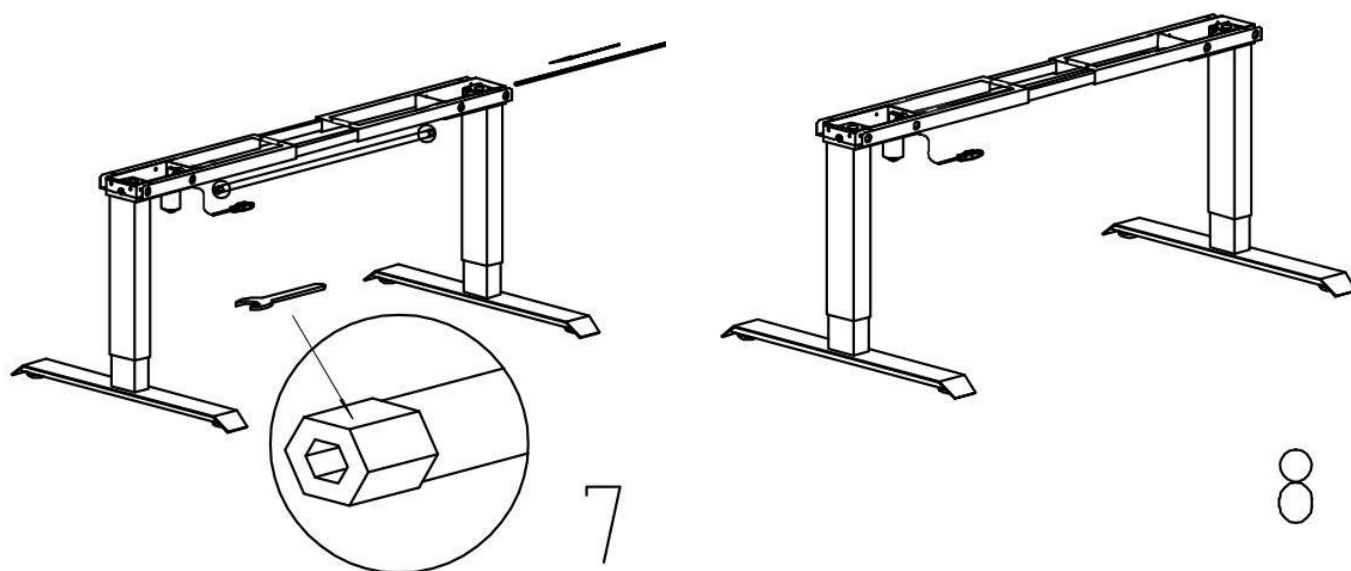
2. Install Foot and Leveling Glide.
(Pic3 and Pic4) (Parts: 4pcs Bolt M6x10)



3. Insert extendable tube to the hole of frame and fix it with hex wrench.
(Pic5 and Pic6) (Parts:8pcs M6x10)

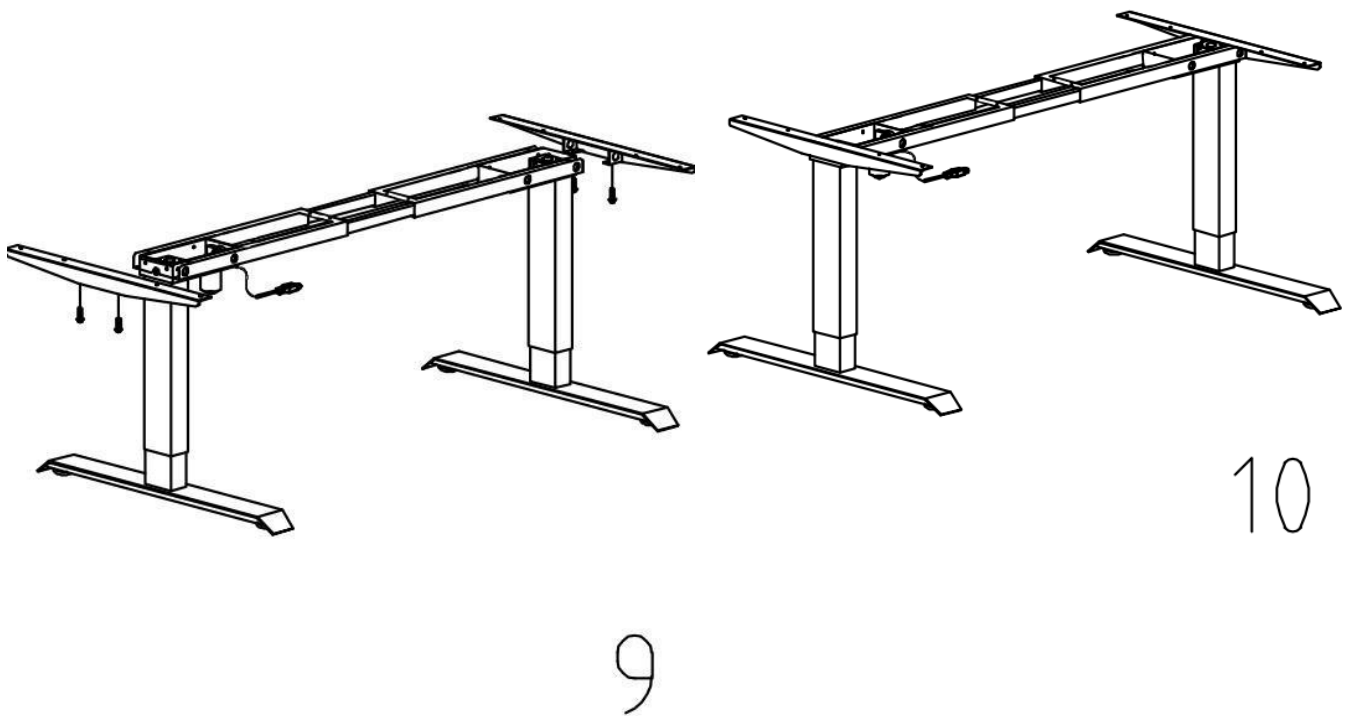


4. Insert Hex Bar and Transmission Tube. Fasten the nut with Spanner.
(Pic7 and Pic8)



5. Install Upper side support.

(Pic9 and Pic10) (Parts:4pcs Bolt M6x10)



6. Install the desktop (Parts:12pcs Screw ST6x23).
Install the Control box and Handset (Parts:3pcs Screw ST6x23).
(Pic11 and pic12)

