

Capri Corner Desk

Assembly Instructions

Thank you for your purchase

Please follow the instructions for correct assembly



Hardware Supplied

Below parts may vary:



A- Bolt x18



C- Screw x2



D- Plate x2



E- Screw x6



1 - Side Leg x2



2 - Return Leg x1



3 - Side Beam x2



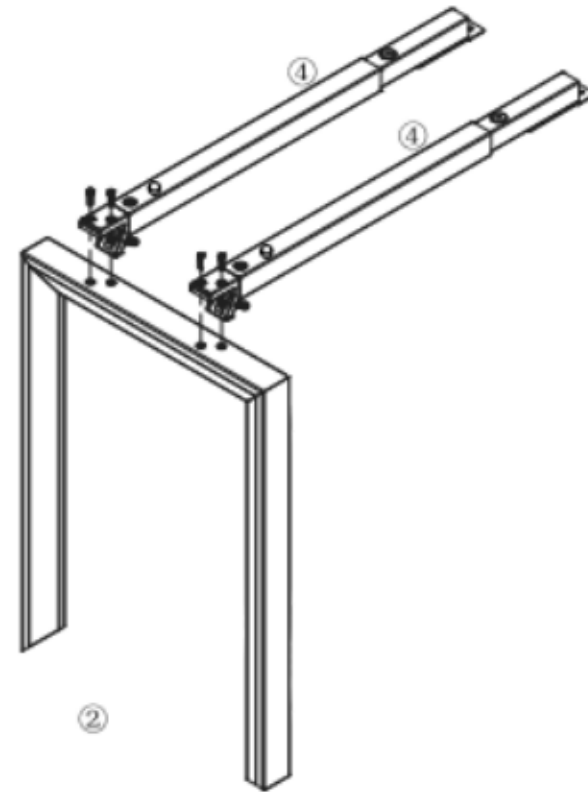
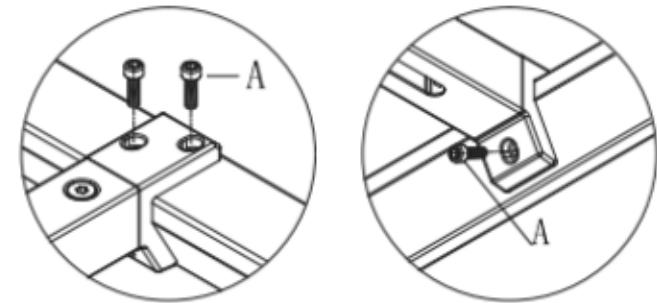
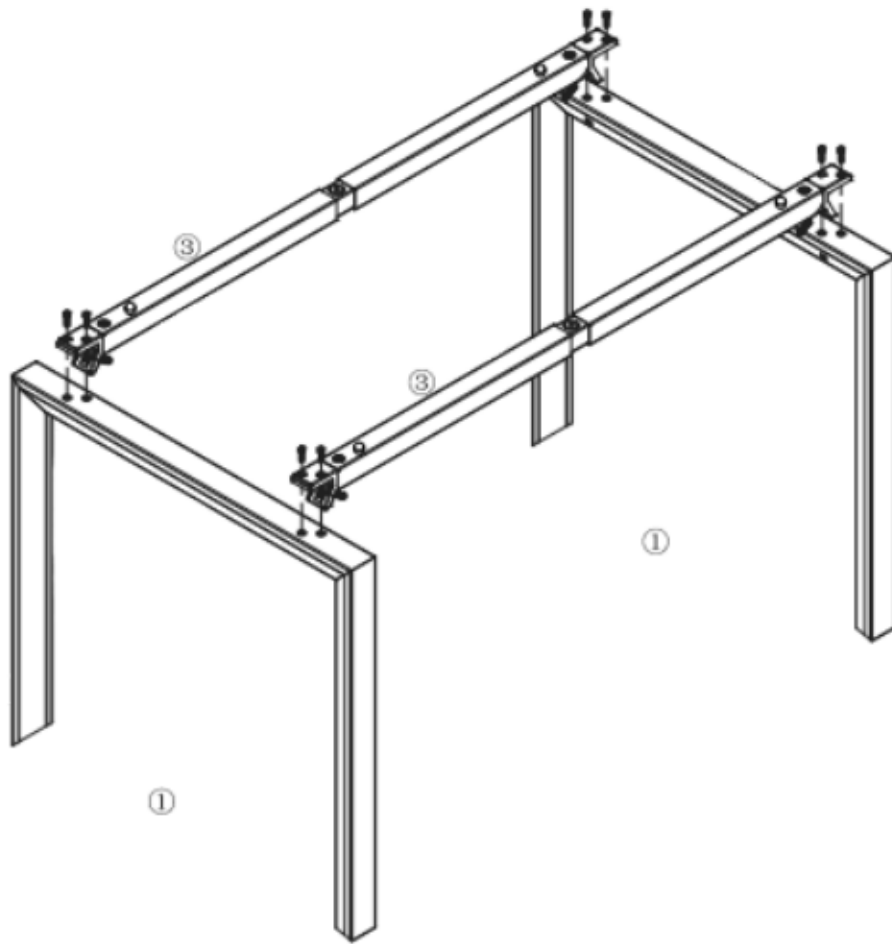
4 - Return Beam x2



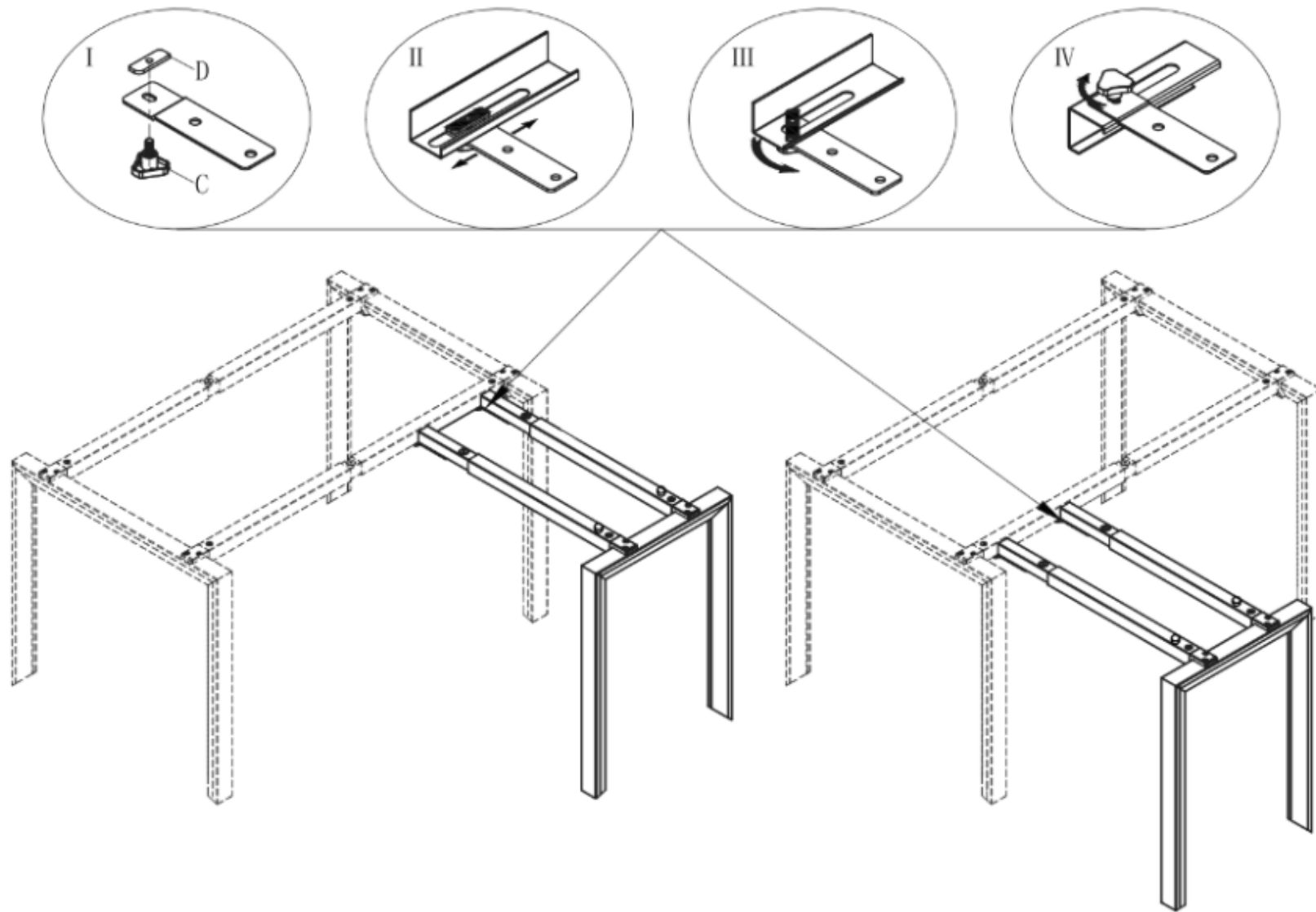
TWO PEOPLE ARE REQUIRED TO ASSEMBLE AND MOVE THIS MODEL

You will need a drill to assemble this unit

Step 1



Step 2



Step 3

Stretch the frame to the length of the desktop. Fasten bolts(A).

Use screws (B) to attach frame to the desktop.

