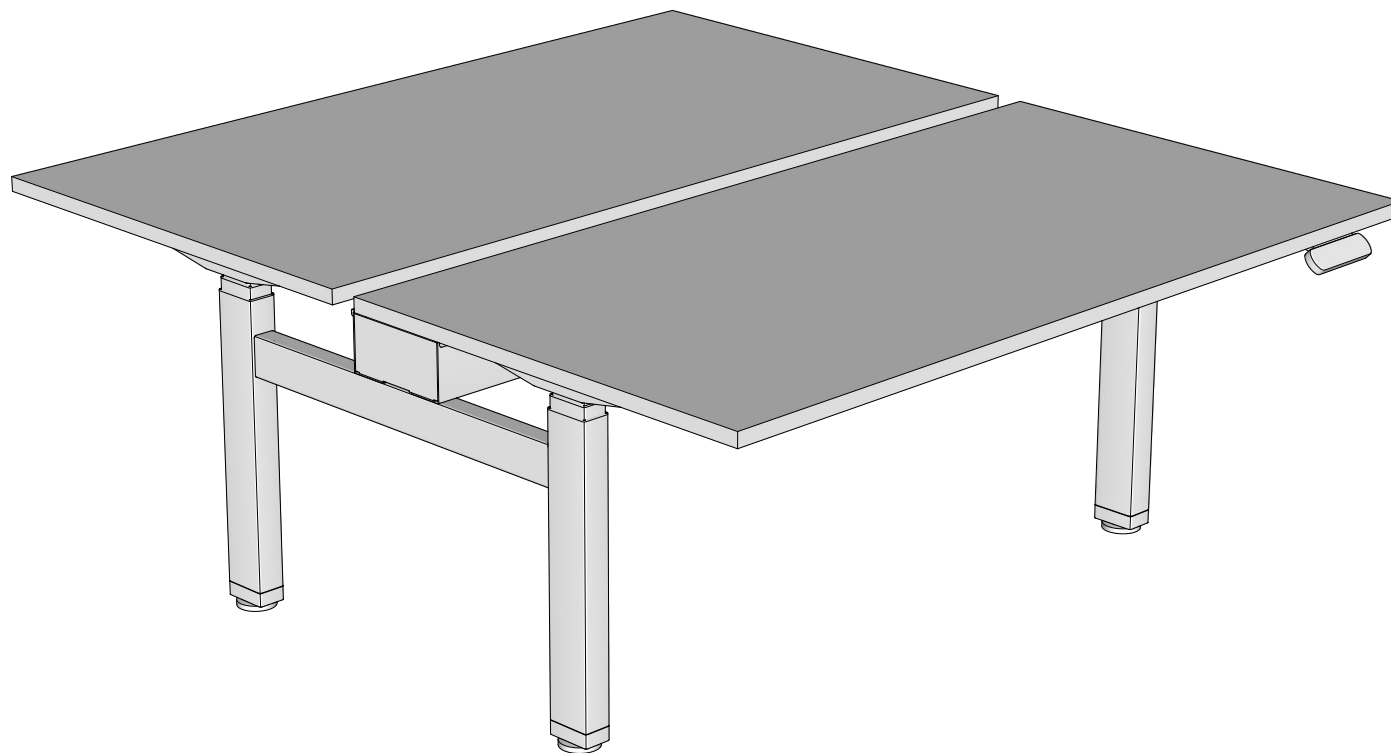




Haven Electric - Double Sided (DSD)

Assembly Guide



Need a hand?

Contact us at info@knightgroup.co.nz or 0800 143 143 for assistance.

knightgroup.co.nz

Thank you for purchasing Knight product.

Please carefully read the assembly instructions prior to installment to gain a complete understanding of the product.

It provides you with important information about the safety, use, installation and maintenance.

WARNING: FAILURE TO COMPLY WITH OR OBSERVE ALL ASSEMBLY, SAFETY AND OPERATION INSTRUCTIONS REGARDING THE USE OF THIS PRODUCT MAY RESULT IN SERIOUS BODILY INJURY.

Safety

- The product must be used in a safe manner. Inappropriate use may cause damage to the product and/or cause bodily harm to the user or persons nearby.
- Don't locate furniture in direct sunlight or near air-conditioning inlet or heating radiator.
- Don't put high-temperature or frozen objects on furniture.
- Safely carry product to location of assembly.
- Retain this operation manual and pass it on to any future owner.

Set Up and Installation

- Assemble the product according to the assembly instructions.
- To prevent possible scratches or damage, assemble the product on a soft surface such as a blanket, carpet or packaging.
- Place the product a safe distance from window frames, radiators, furniture etc. so that persons cannot become trapped.

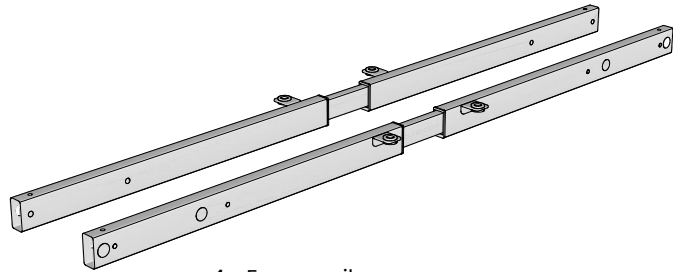
Due to continuous improvement of our products, our assembly instructions may not be in complete accordance with the product and we apologise in advance.

Any questions contact Knight on 0800 143 143

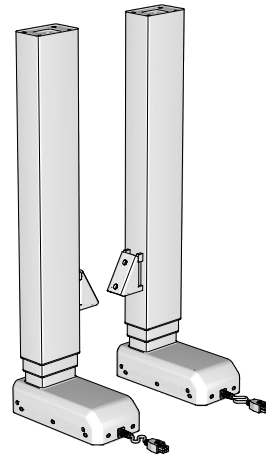


Tools Required: Powered Screwdriver

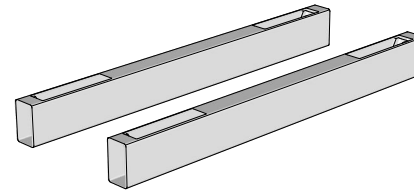
Haven Electric DSD - Parts



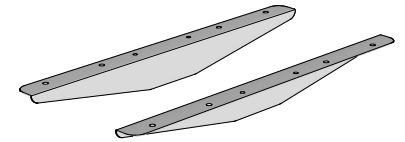
4 x Frame rails



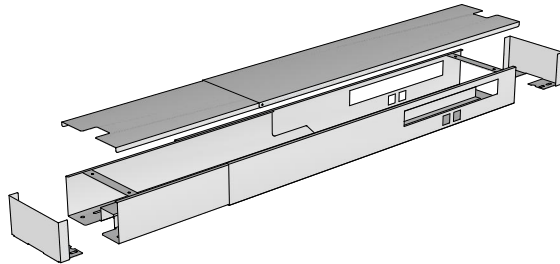
4 x Leg with motor



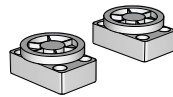
2 x Side rails



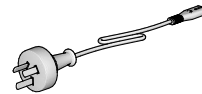
2 x L&R Support Bar (pair)



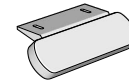
1 x Cable Tray



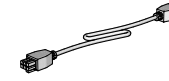
4 x Levelling Feet



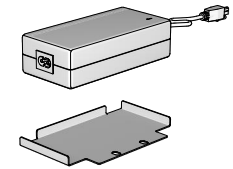
2 x Power Cord



2 x Handset



2 x Extension Cable



2 x Power Box with Tray



8 x M8x18



20 x M6x16



20 x M6x10



8 x M6x8



24 x ST4.8x16



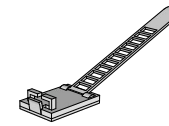
4 x ST3.5x16



8 x Washer



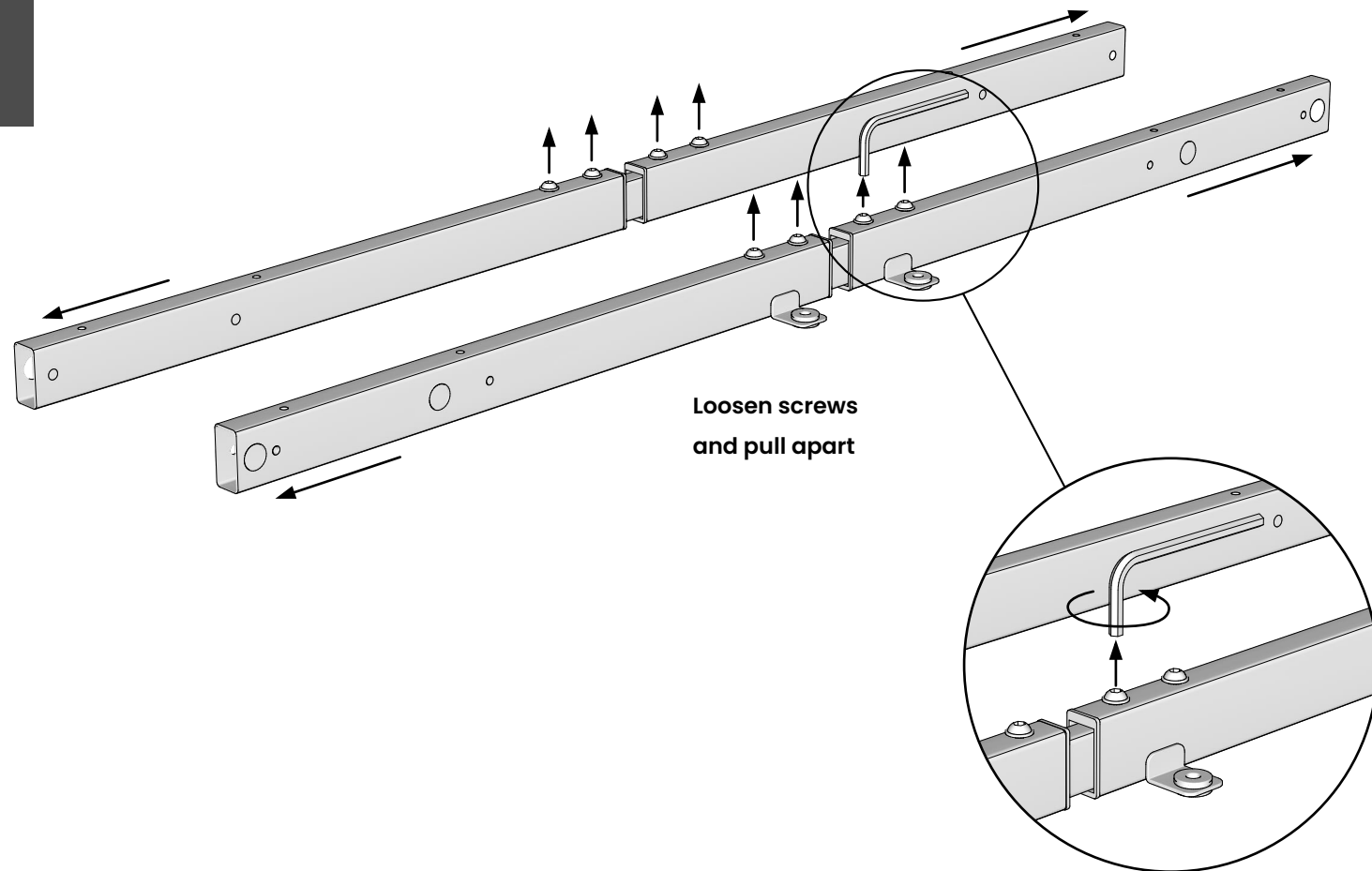
16 x Screw Guide



12 x Cable Clip

Step 1

Don't plug in the desk until handset & power box are mounted on to the desk top. It might cause errors.



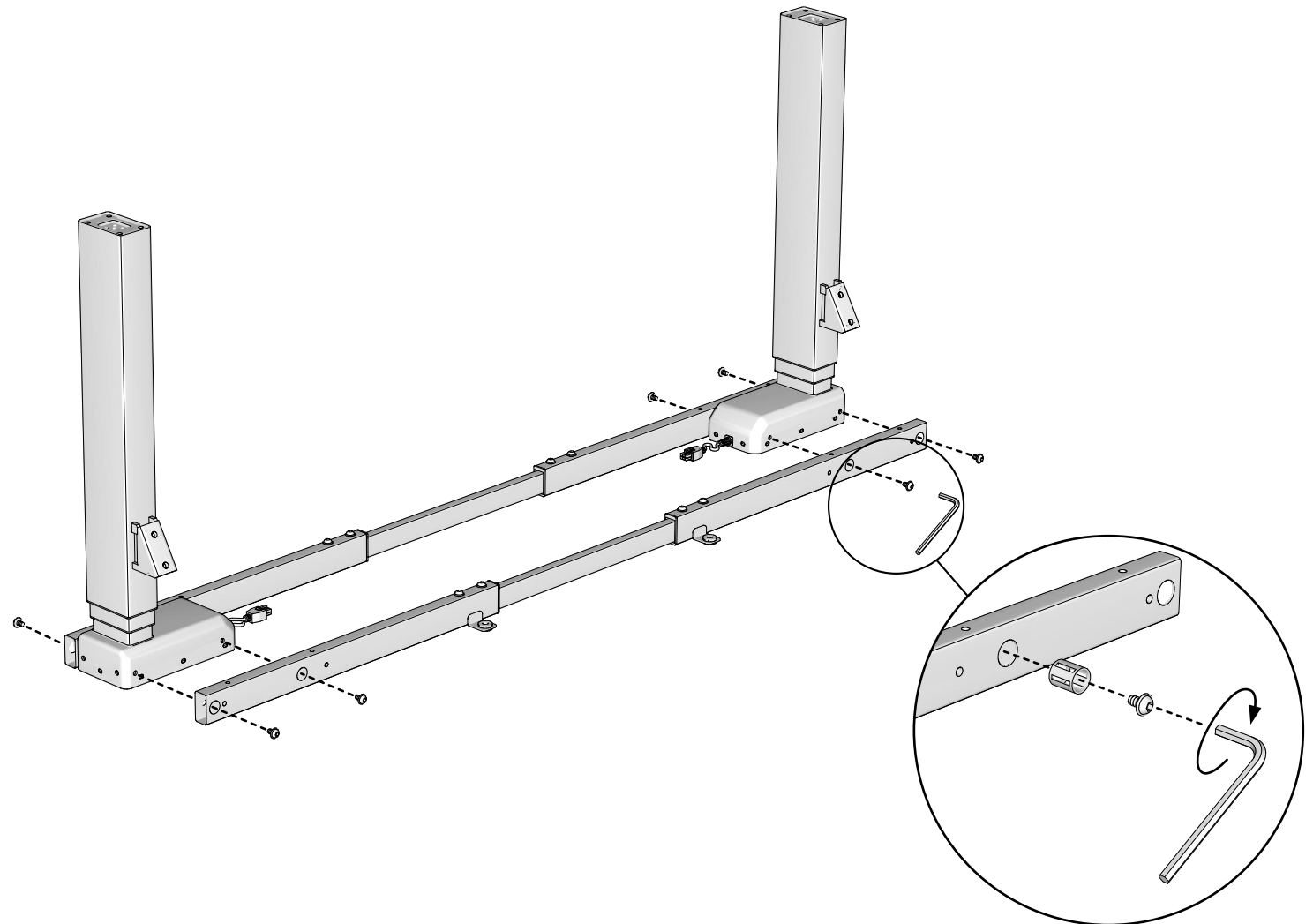
Step 2



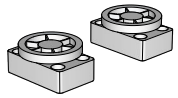
8 x M6x10



Screw Guide



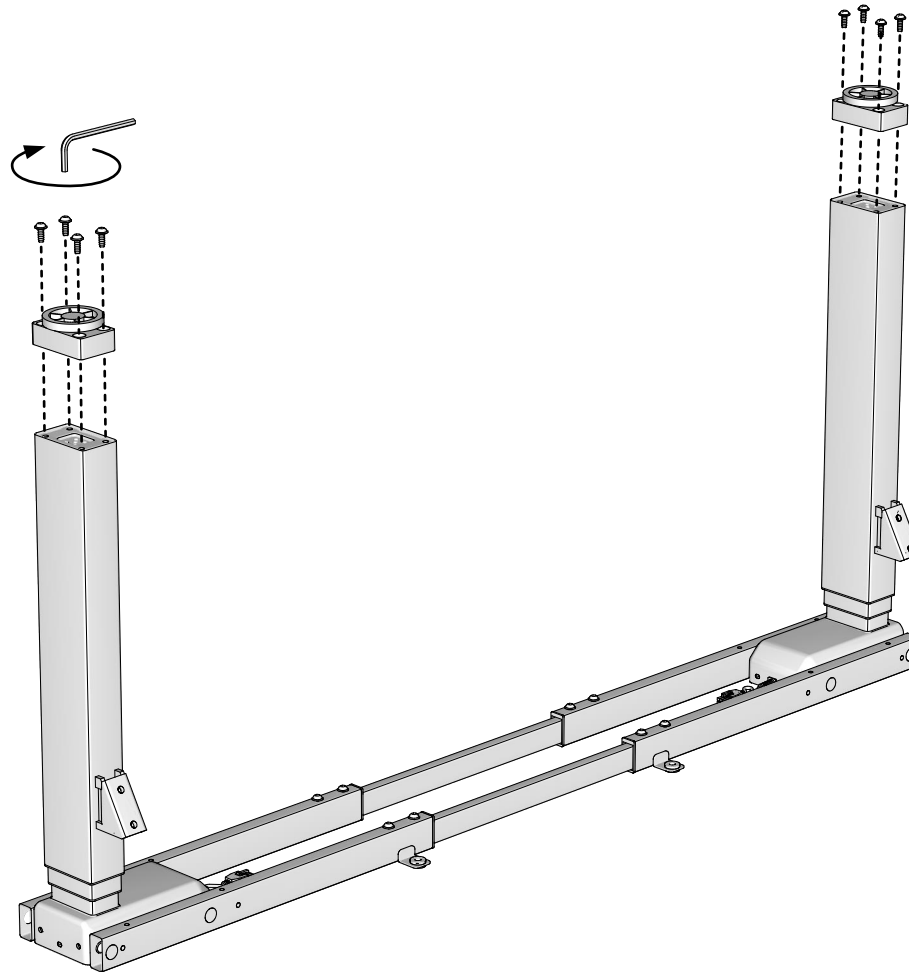
Step 3



2 x Levelling Feet



8 x M6x16

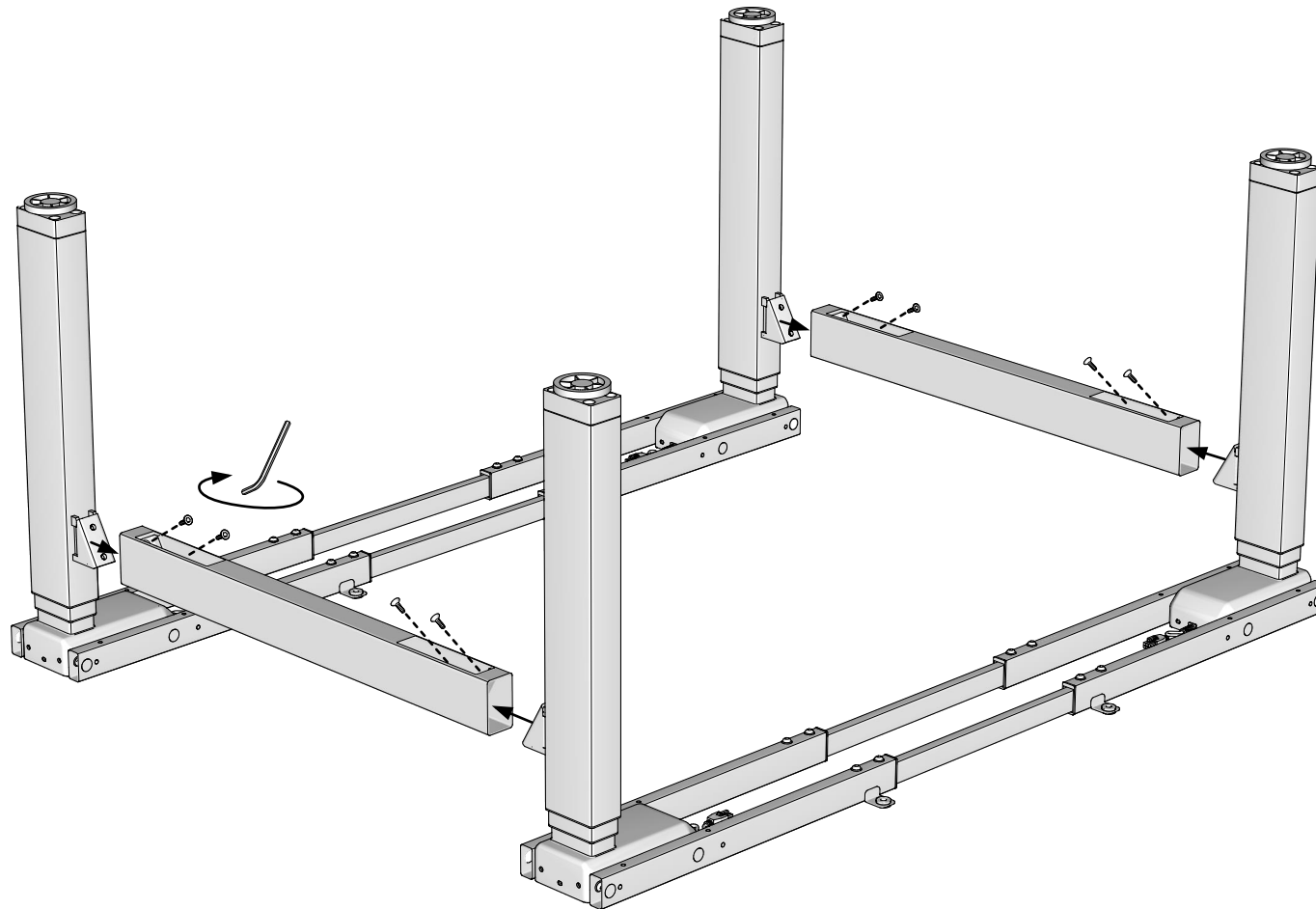


**Repeat steps 1-3
to assemble the
second frame.**

Step 4



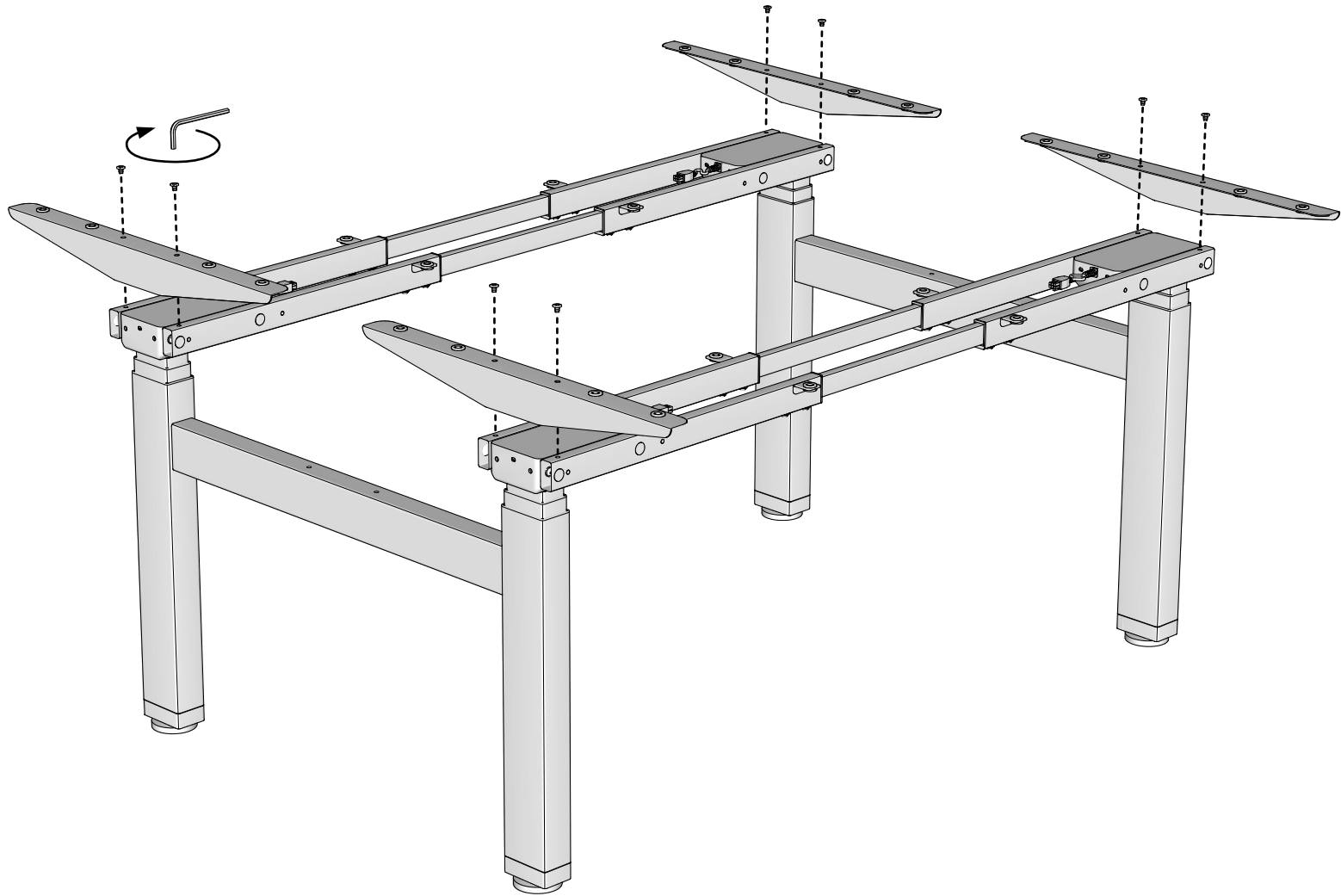
8 x M8x18



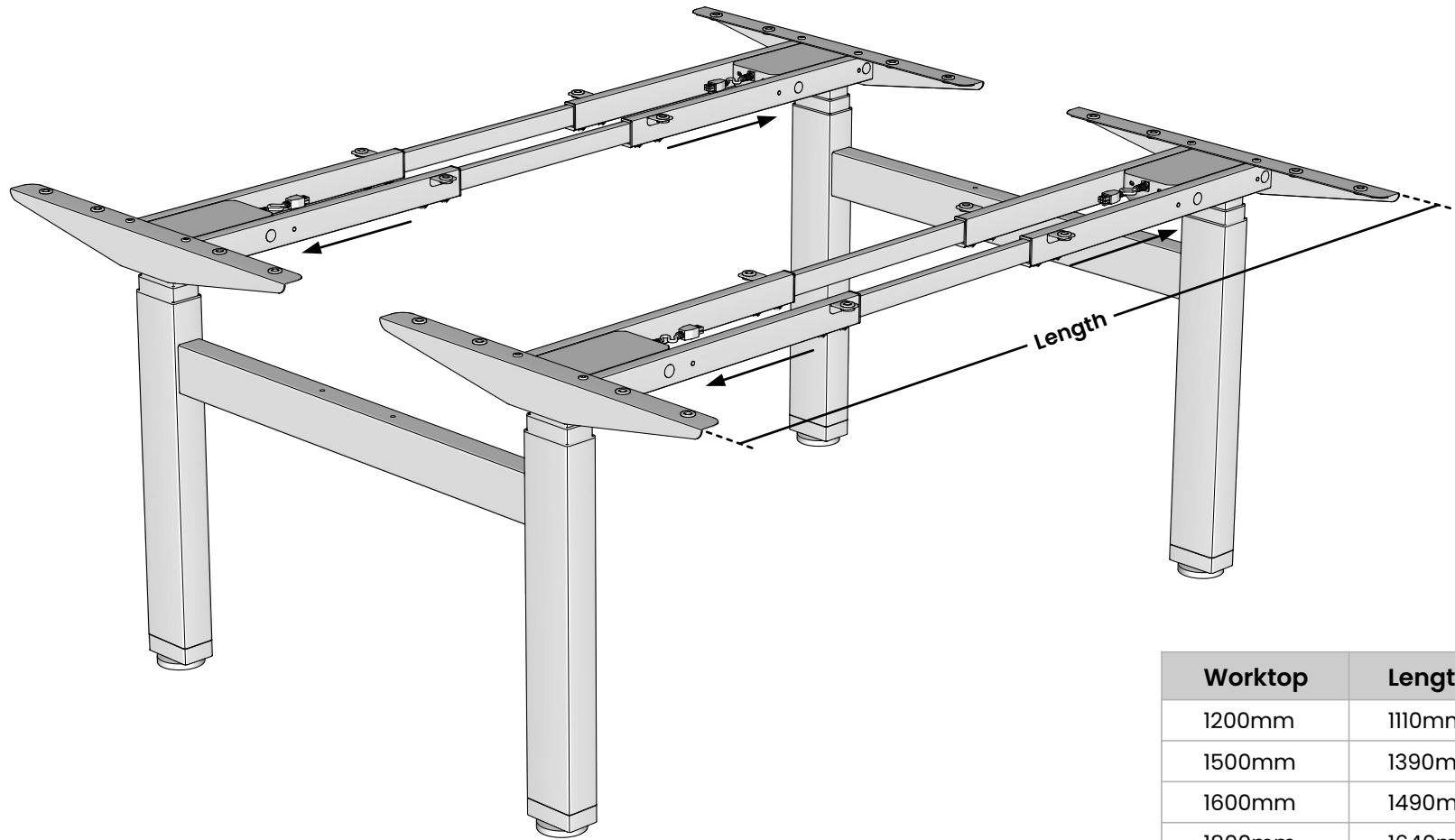
Step 5



8 x M6x8

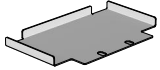
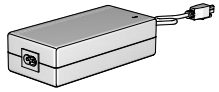


Step 6

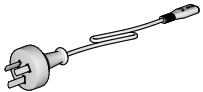


Worktop	Length
1200mm	1110mm
1500mm	1390mm
1600mm	1490mm
1800mm	1640mm

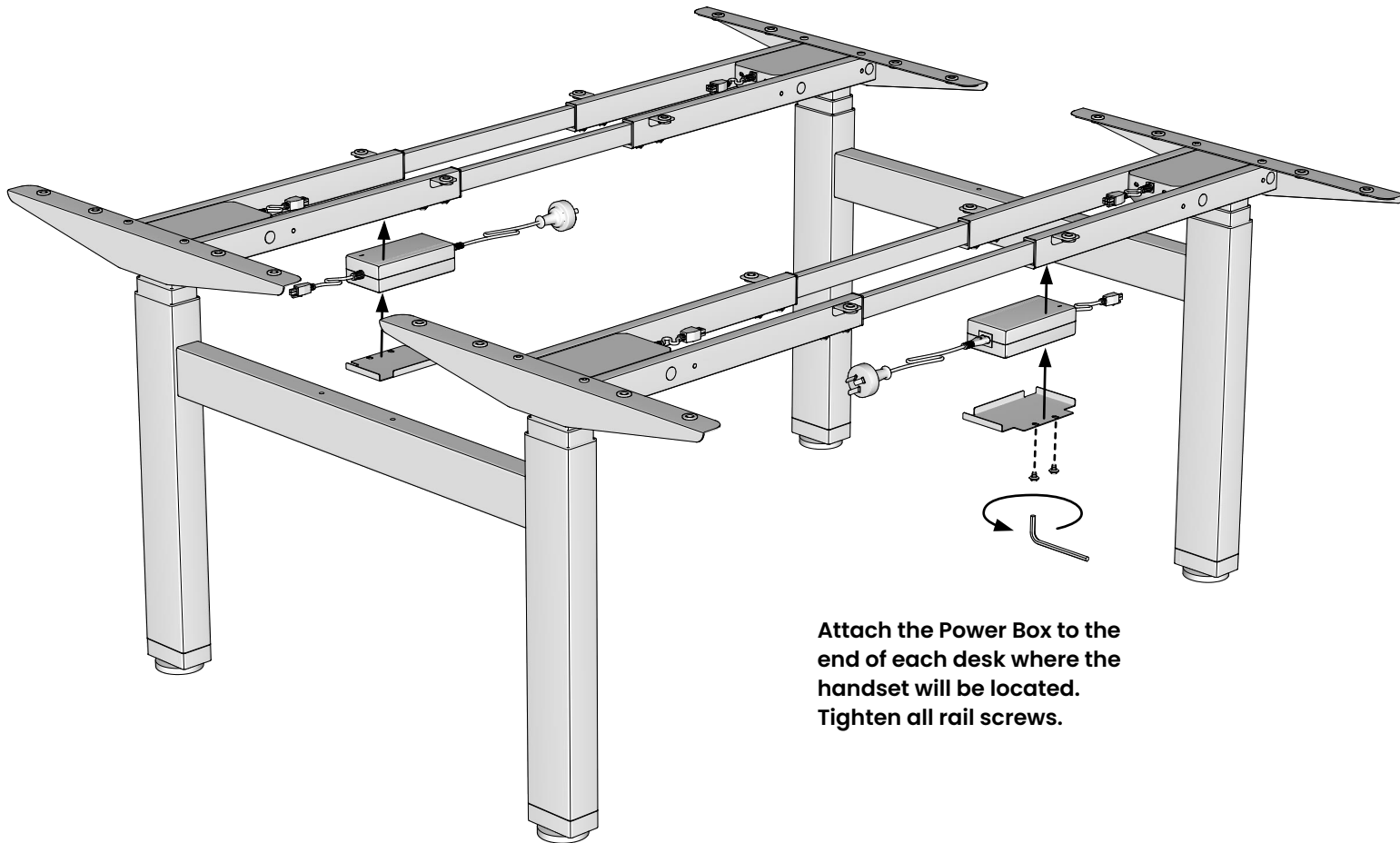
Step 7



2 x Power Box with Tray

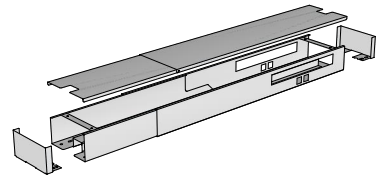


2 x Power Cord



Attach the Power Box to the end of each desk where the handset will be located. Tighten all rail screws.

Step 8



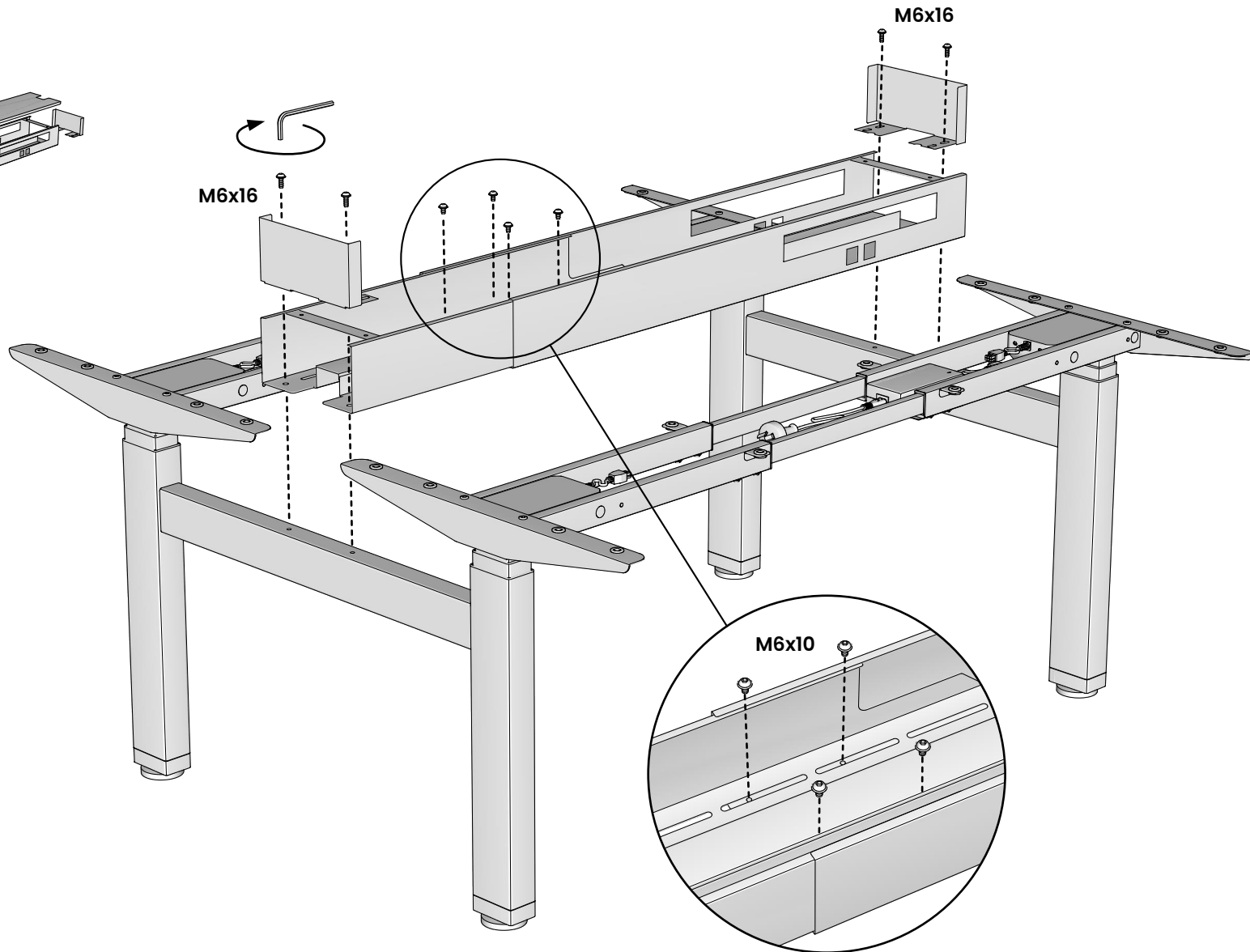
1 x Cable Tray



4 x M6x16



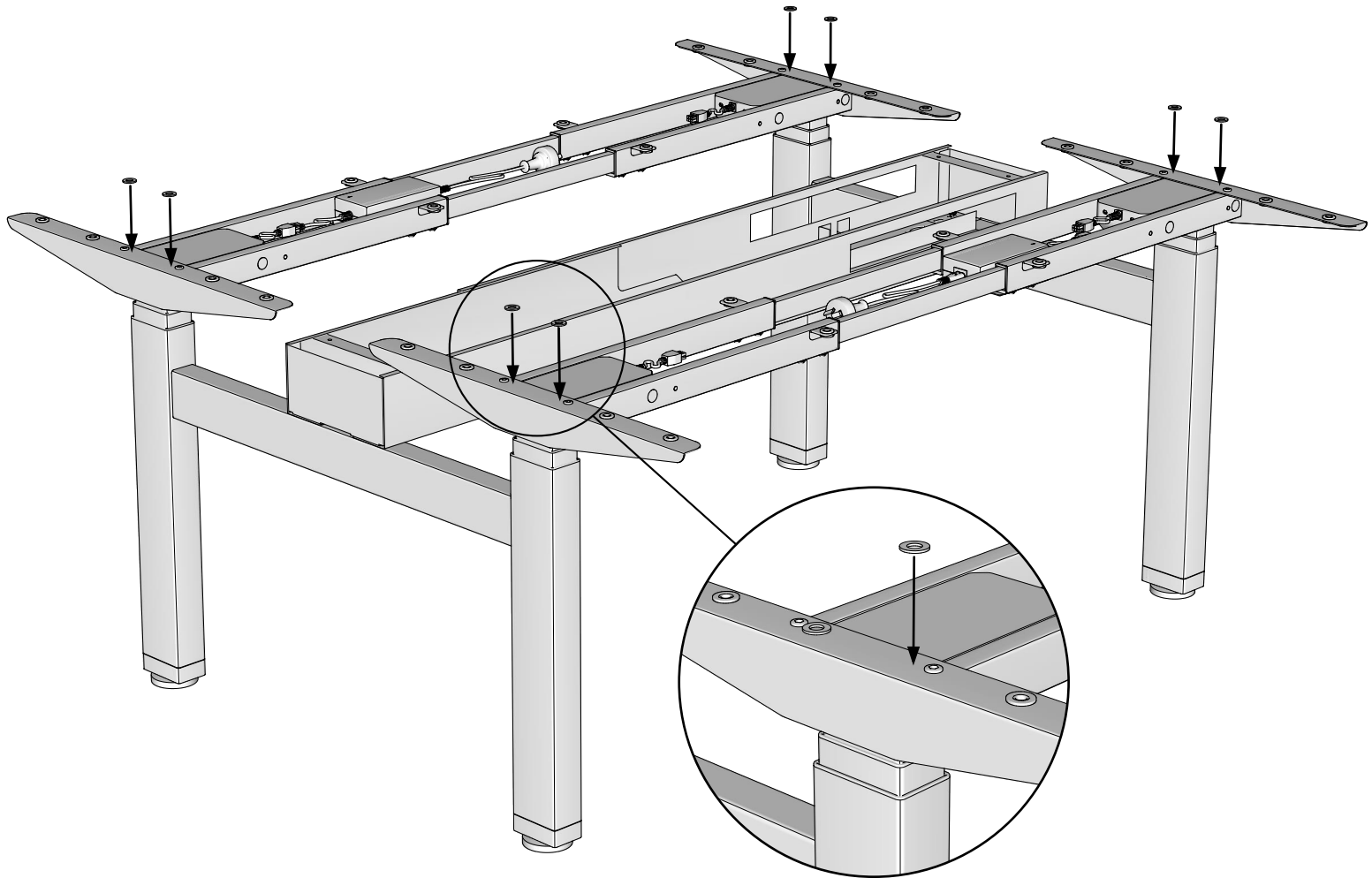
4 x M6x10



Step 9



8 x Washer

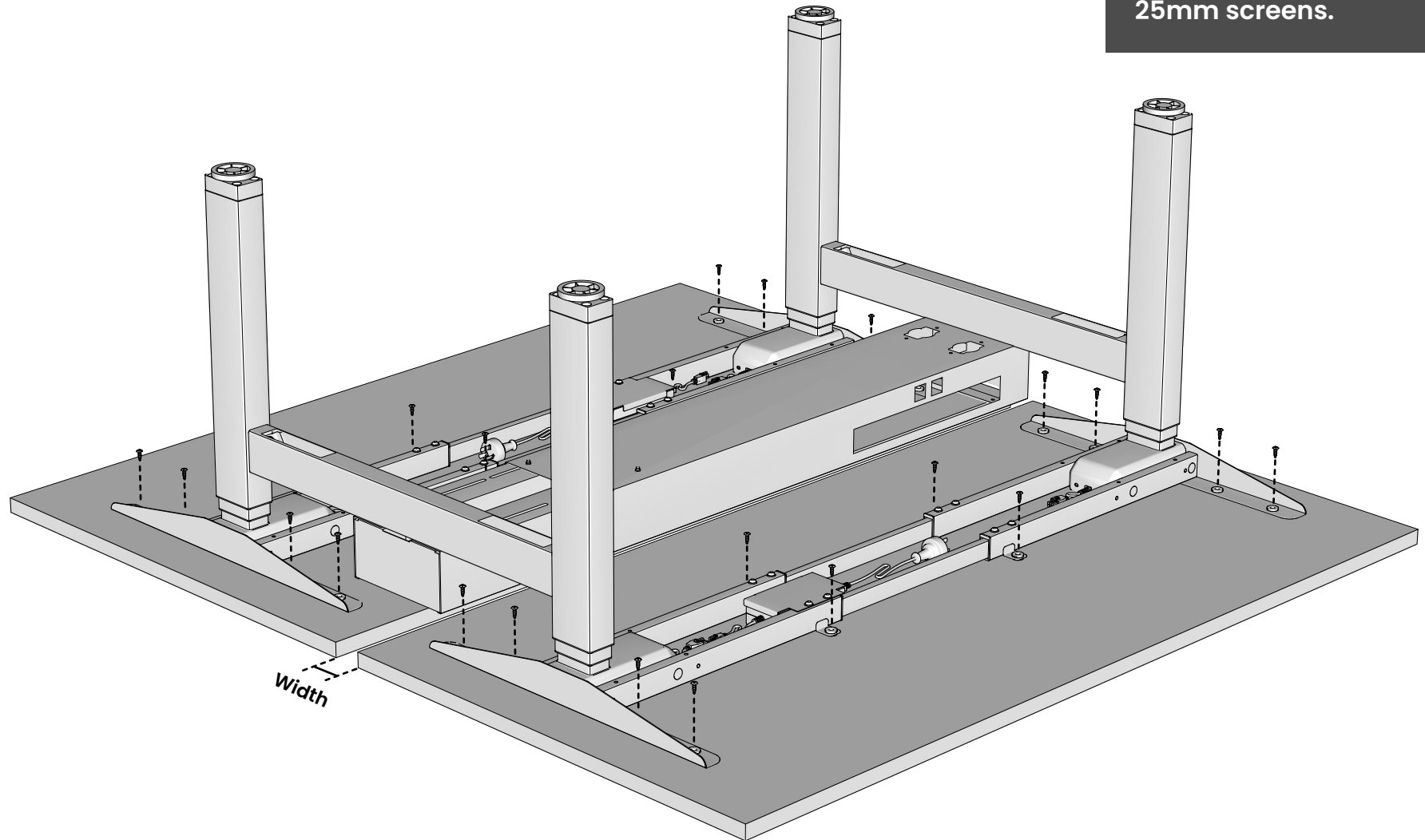


Step 10



24 x ST4.8x16

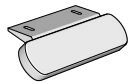
Make sure to leave a 70mm gap if using 50mm screens, or a 45mm gap if using 25mm screens.



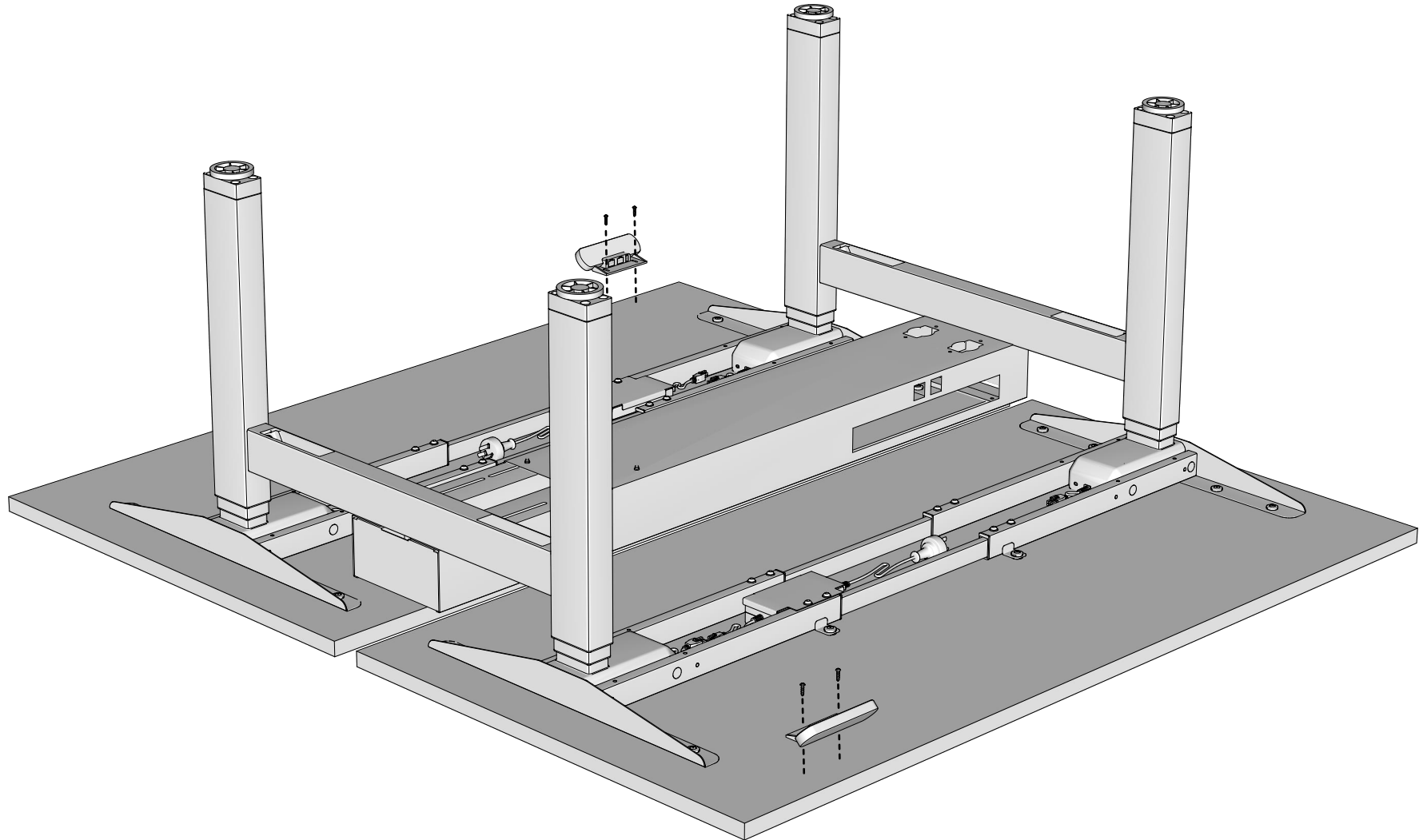
Step 11



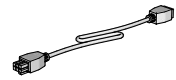
4 x ST3.5x16



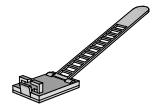
2 x Handset



Step 12



2 x Extension
Cable



Cable Clip

