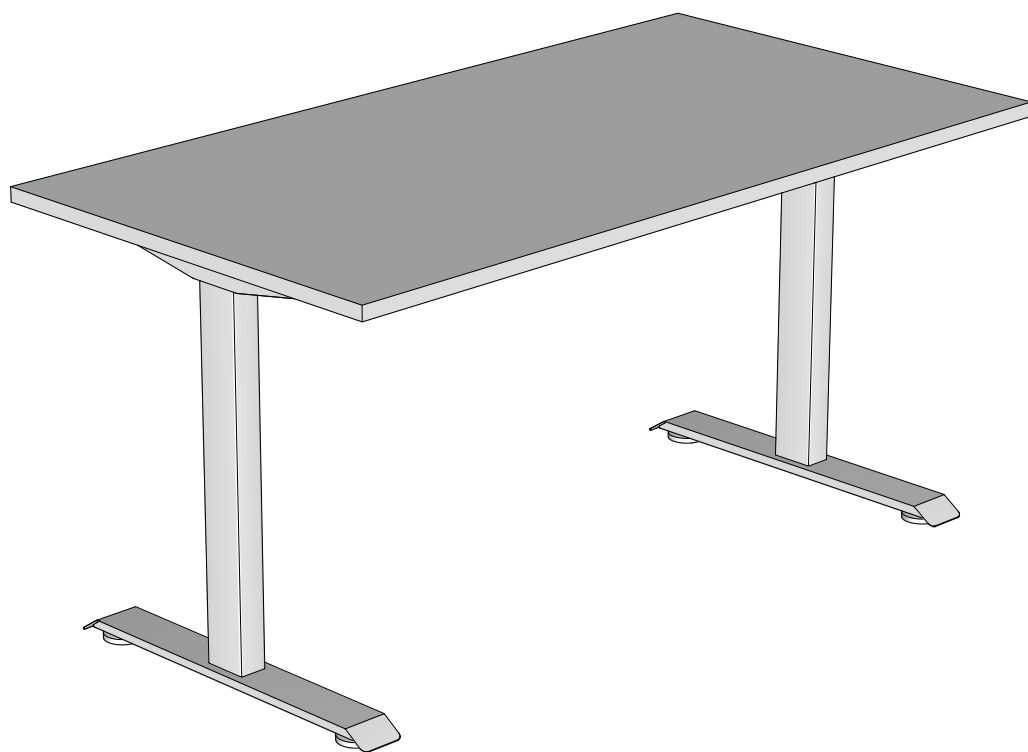




Haven Fixed - Single Sided (SSD)

Assembly Guide



Need a hand?

Contact us at info@knightgroup.co.nz or 0800 143 143 for assistance.

knightgroup.co.nz

Thank you for purchasing Knight product.

Please carefully read the assembly instructions prior to installment to gain a complete understanding of the product.

It provides you with important information about the safety, use, installation and maintenance.

WARNING: FAILURE TO COMPLY WITH OR OBSERVE ALL ASSEMBLY, SAFETY AND OPERATION INSTRUCTIONS REGARDING THE USE OF THIS PRODUCT MAY RESULT IN SERIOUS BODILY INJURY.

Safety

- The product must be used in a safe manner. Inappropriate use may cause damage to the product and/or cause bodily harm to the user or persons nearby.
- Don't locate furniture in direct sunlight or near air-conditioning inlet or heating radiator.
- Don't put high-temperature or frozen objects on furniture.
- Safely carry product to location of assembly.
- Retain this operation manual and pass it on to any future owner.

Set Up and Installation

- Assemble the product according to the assembly instructions.
- To prevent possible scratches or damage, assemble the product on a soft surface such as a blanket, carpet or packaging.
- Place the product a safe distance from window frames, radiators, furniture etc. so that persons cannot become trapped.

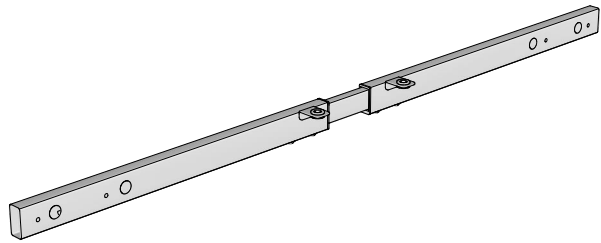
Due to continuous improvement of our products, our assembly instructions may not be in complete accordance with the product and we apologise in advance.

Any questions contact Knight on 0800 143 143

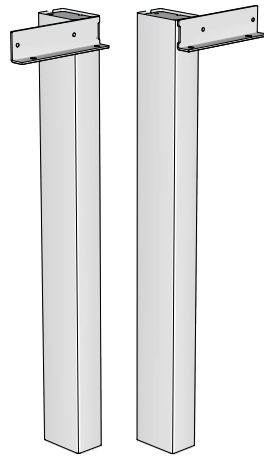


Tools Required: Powered Screwdriver

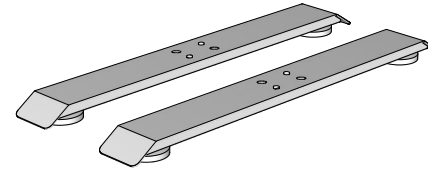
Haven Fixed SSD - Parts



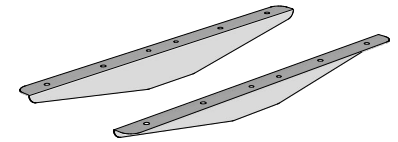
1 x Frame rails



2 x Legs



2 x Foot with Levelling Feet



1 x L&R Support Bar (pair)



8 x M6x16



8 x M6x10



4 x M6x10



10 x ST4.8x16

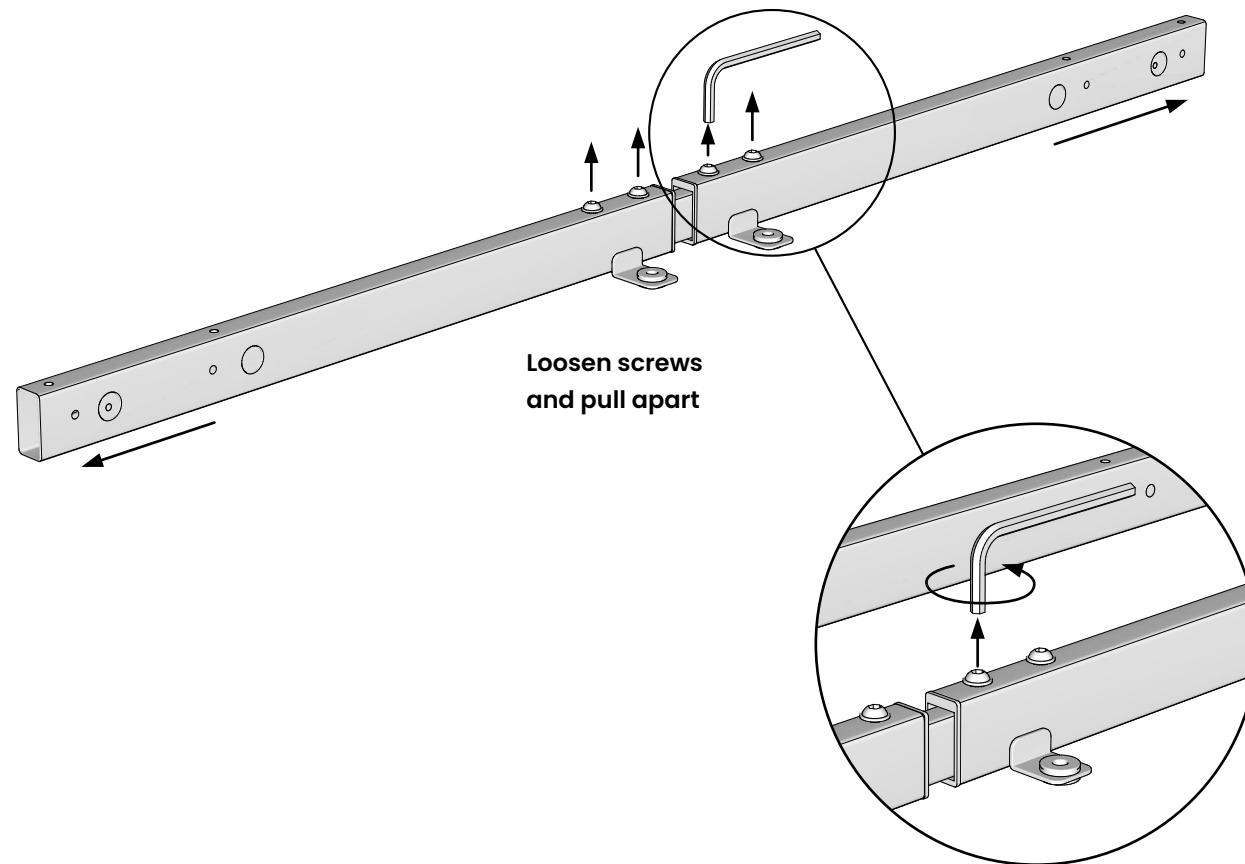


4 x Screw Guide



4 x Washer

Step 1



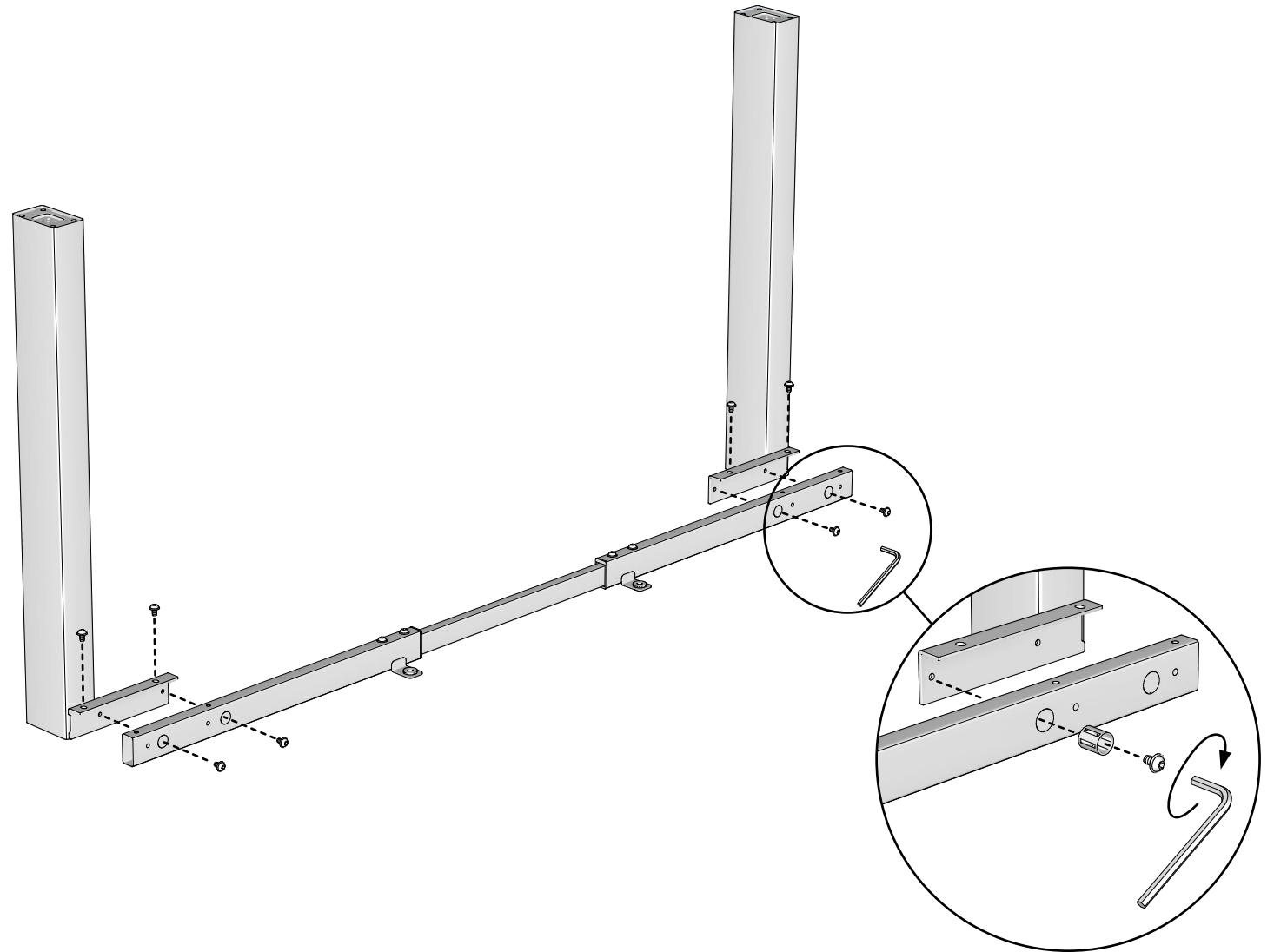
Step 2



8 x M6x10



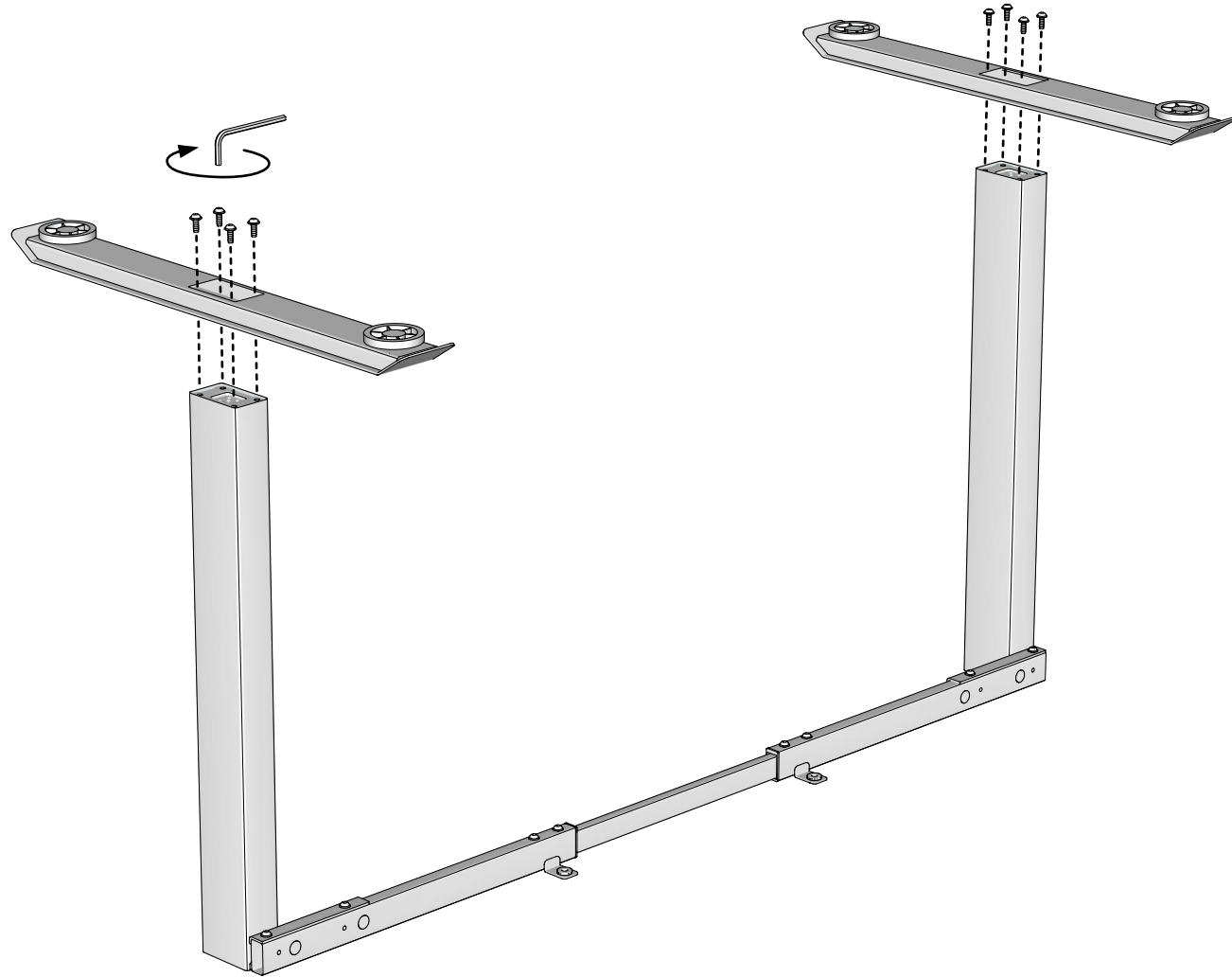
Screw Guide



Step 3

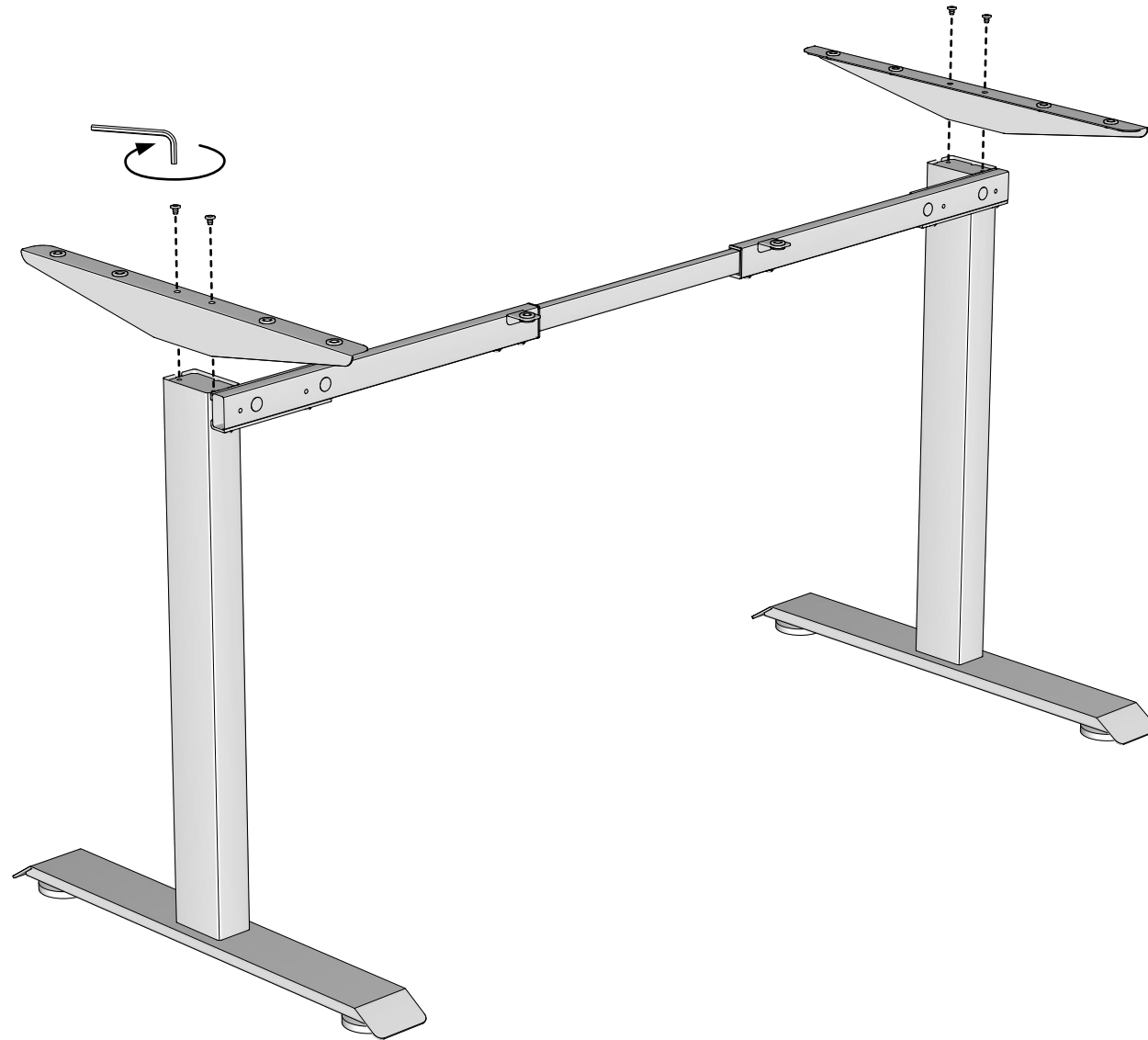


8 x M6x16

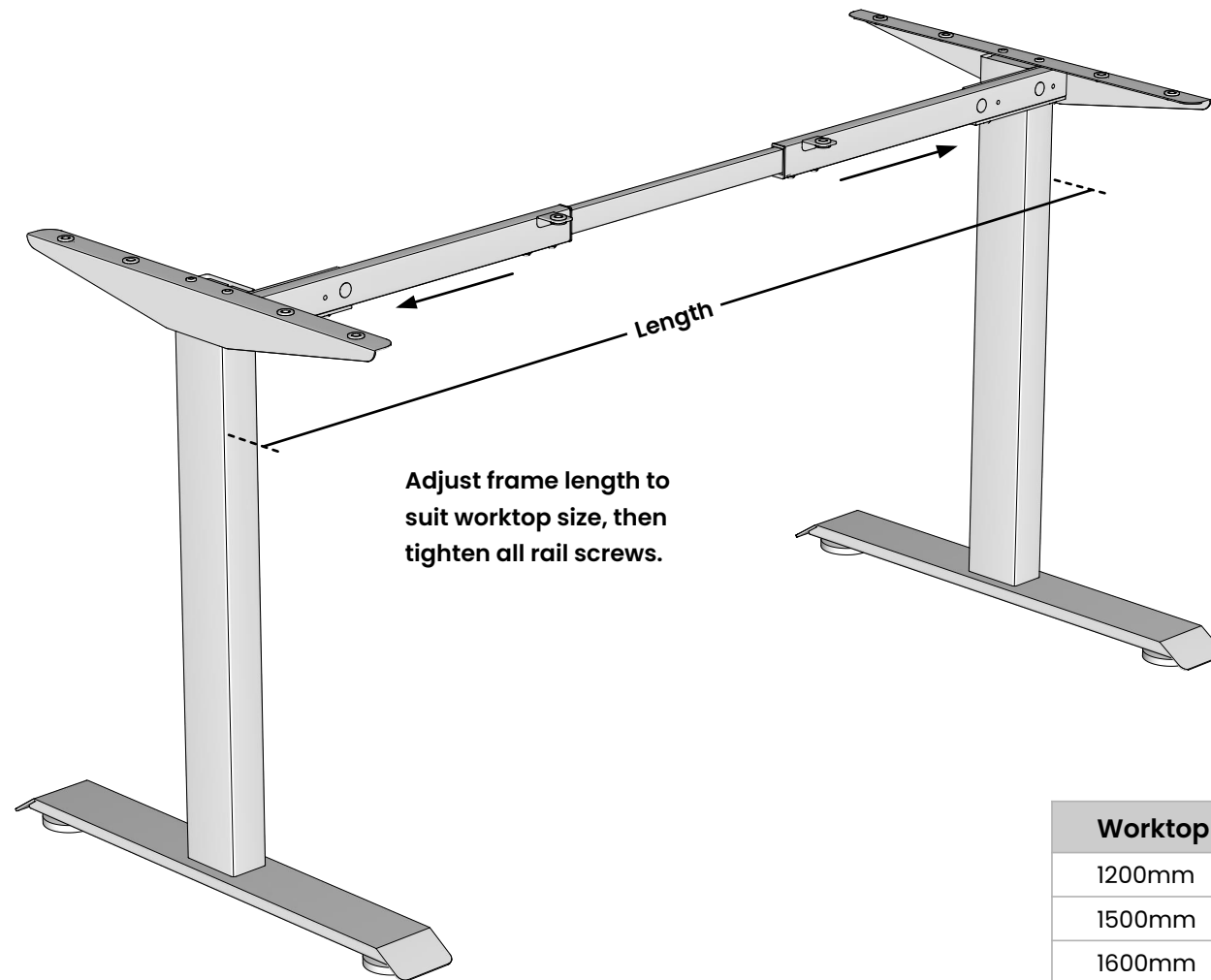


Step 4


4 x M6x10



Step 5

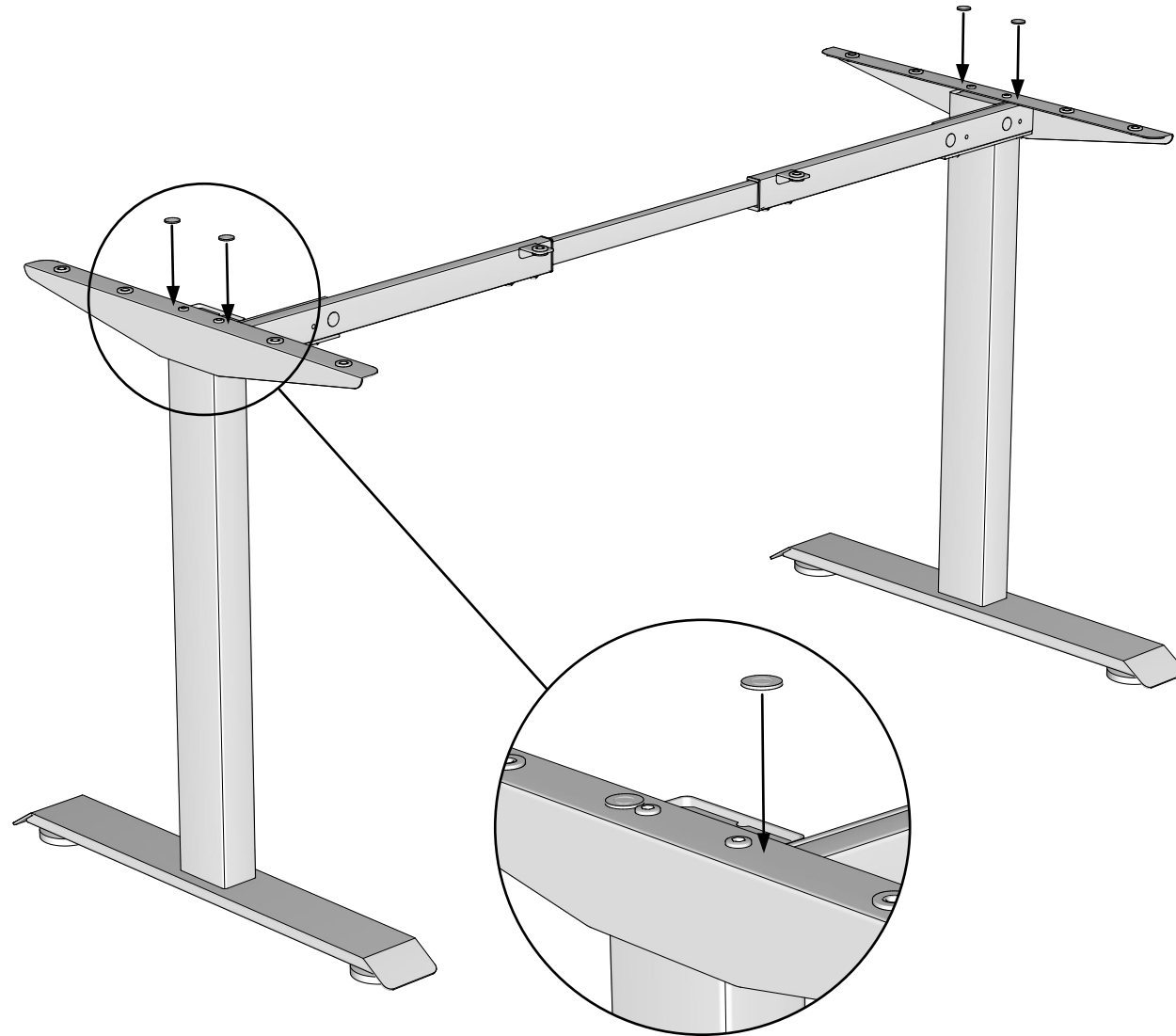


Worktop	Length
1200mm	1150mm
1500mm	1400mm
1600mm	1500mm
1800mm	1650mm

Step 6



4 x Washer



Step 7



10 x ST4.8x16

