

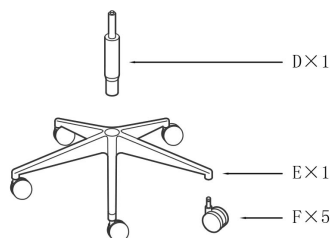
Assembly, Operating & Maintenance Instructions

mondo

Remove all items from the carton. Verify all pieces before assembly.

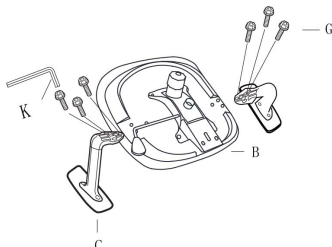
MONDO GENE CHAIR

STEP 1.



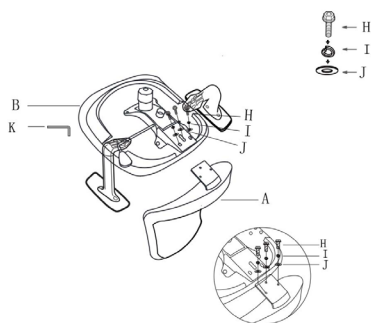
Press the Castors (F) into the holes at the end of each leg of the Base (E).
Insert Gaslift (D) into the centre hole of the Base (E).

STEP 2.



Please be careful to use the correct Arm Screws (G). For easy assembly, place the Seat (B) face down on a flat surface. Attach Armrest (C) to the seat (B) as shown using 3 Arm Screw (G) on each arm. Tighten the bolts securely with the enclosed Allen Wrench (K).

STEP 3.



Please be careful to use the correct Back screws (H). Slide one spring Washer (I) and then a Flat washer (J) over each Backrest Screw (H). Tighten securely using the enclosed Allen Wrench (K).

STEP 4.



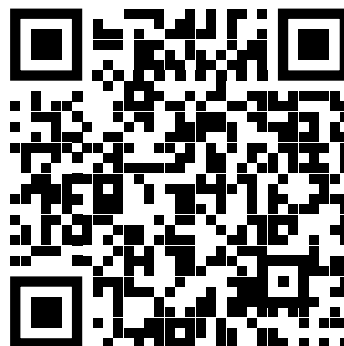
Now turn the assembled seat upright and locate the centre hold of the Mechanism over the Gaslift. Push down firmly until the connection is secure.

PART LIST

KEY	QTY	DESCRIPTION
A	1	Backrest
B	1	Seat
C	2	Armrests
D	1	Gaslift
E	1	5 Star base
F	5	Castors
G	6	Armrest Screws (M6*30mm)
H	3	Back Screws (M8*20mm)
I	3	Spring Washer
J	3	Flat Washer
K	1	Allen Wrench

ASSEMBLY VIDEO

Scan here with your smart phone to watch our assembly video.



CARE & MAINTENANCE

GENERAL CARE

To maintain the appearance of non-upholstered parts wipe the surface with a clean cloth dampened with a mild detergent solution. Do not remove any parts for separate cleaning. Do not saturate the fabric or interior with water or other cleaning liquids. Do not shampoo clean.

Do not clean with hot water extraction machine. Do not clean with onsite drycleaning machine. Protect from direct sunlight, heat and weather.

FABRIC/MESH UPHOLSTERY CARE

Wipe with a clean cloth dampened with a mild upholstery detergent solution. A soft bristle brush may be used to remove ingrained soil.

Spot clean as above. Treat spills and stains as soon as possible.

Persistent stains may require treatment by a professional cleaner. May be cleaned with dry powder cleaners.

Allow to dry thoroughly before reuse.

FOAM

Flame Resistant: Ca117 Section A Part I & Section D Part II

UPHOLSTERY: FABRIC

Flame Resistance: Ca117 Section E Class I

*This applies only to standard Mondo stock. Any customer specified upholstery may not meet these specifications.

PREVENTATIVE MAINTENANCE & WARNING!

- Use this product only for seating one person at a time.
- Do not use this chair as a step stool/ladder.
- Do not sit on any part of the chair except the seat.
- Do not use this chair on uneven floor surfaces.
- Do not interfere with the operating of the gas lift.
- Do not use chair unless all bolts, screws and knobs are tight. At least every six months check all bolts, screws and knobs to ensure they are tight.

- If any parts are missing, broken, damaged or worn do not use the product until repairs are made using factory authorised parts.
- Dispose of packaging properly.
- Plastic bag is not a toy.
- Do not use plastic bag as a head covering as it may cause suffocation.
- Failure to follow these warnings could result in serious injury.

mondo
by Buro