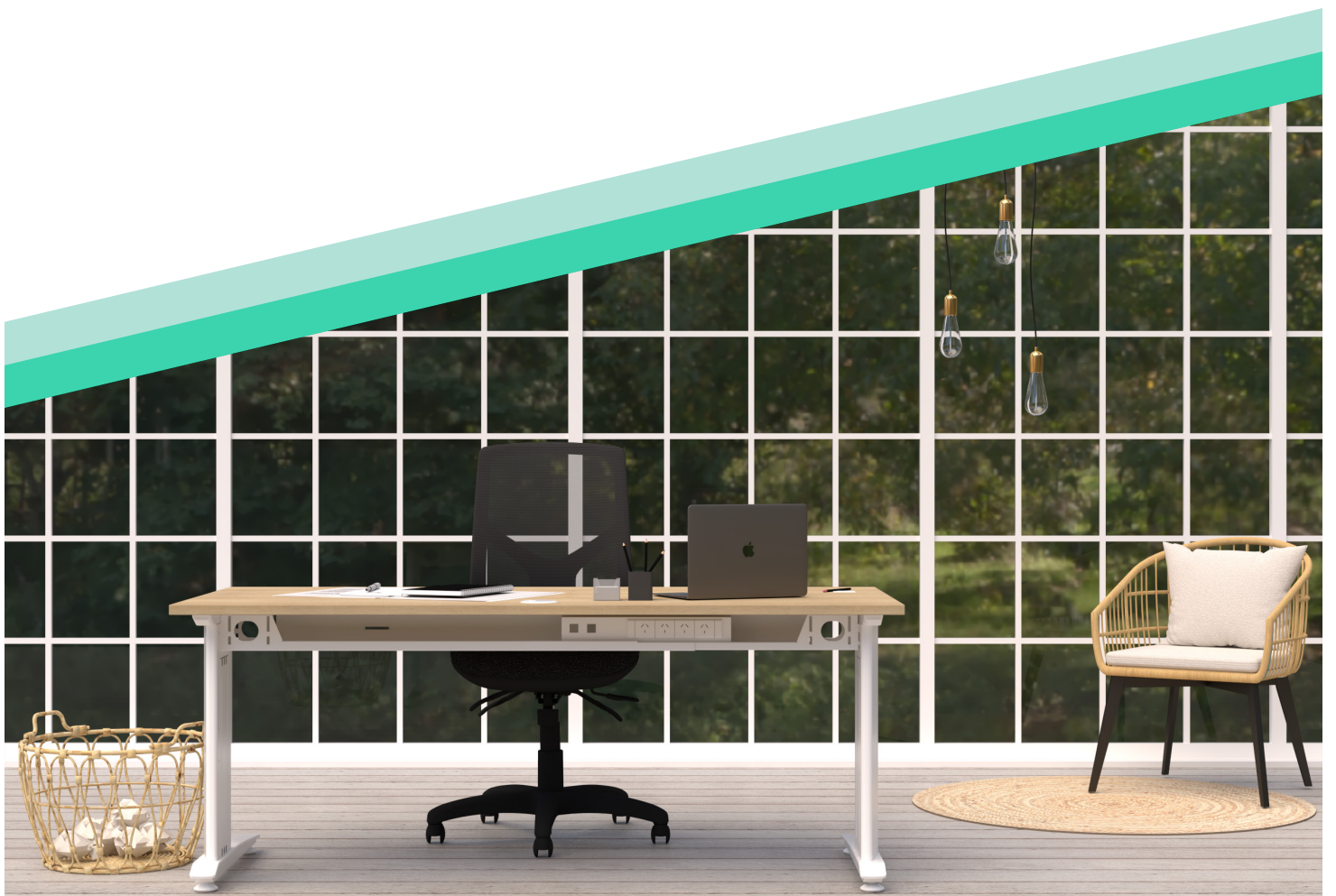


ENERGY DESK **ASSEMBLY GUIDE**





Tools Required



Battery Drill



#2 Phillips Driver Tip



#2 Square Driver Tip

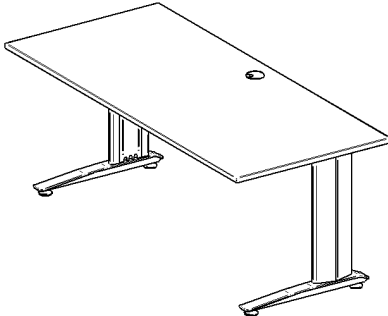
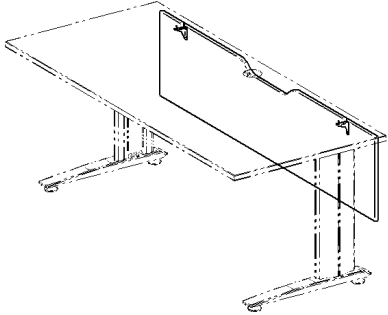
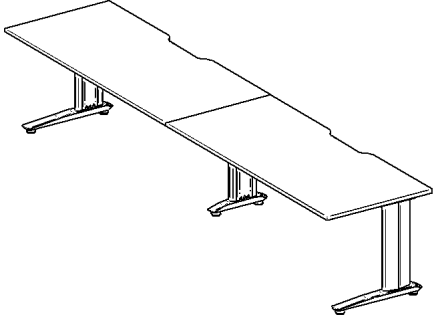
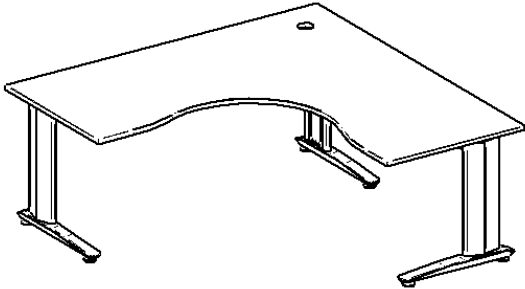
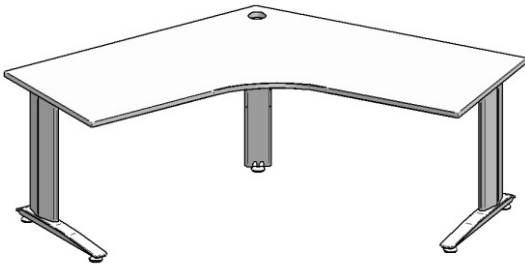


Soft Hammer

Accent

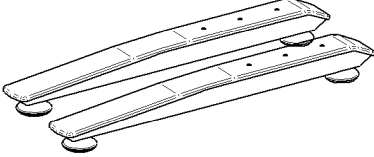
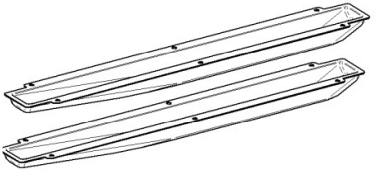
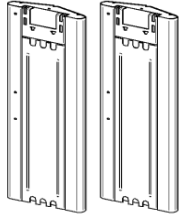
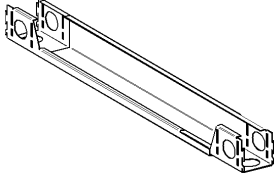
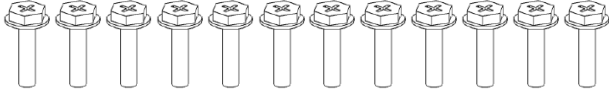
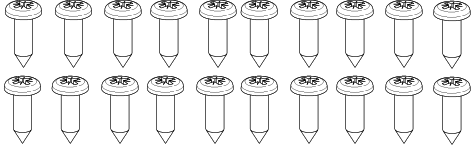
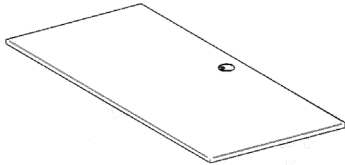
workspace furniture solutions

TABLE OF CONTENTS

CONFIGURATION	PAGE NUMBER	IMAGE
Single Desk	4-5	
Single Desk With 18mm Modesty Panel	6-7	
Inline 2 Pod	8-9	
Corner Workstation	10-11	
120Degree Corner Desk	12-13	

STRAIGHT DESK

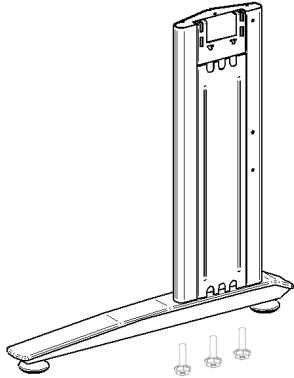
PARTS LIST

NO.	NAME	QUANTITY	IMAGE
1	Foot	2pcs	
2	Leg Top Plate	2pcs	
3	Leg Column LH/RH	2pcs	
4	Extendable Beam	1pc	
5	Bolt A	12pcs	
6	Bolt B	20pcs	
7	Desk Top	1pc	

STRAIGHT DESK

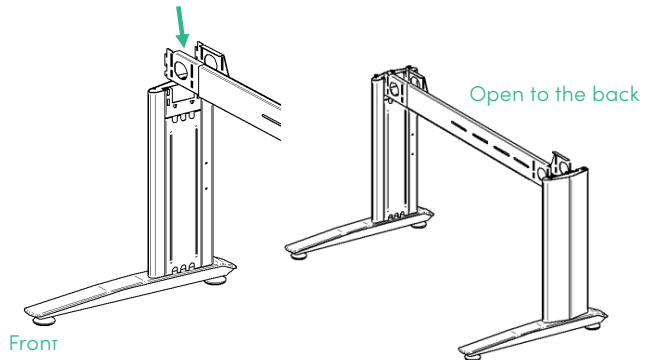
ASSEMBLY INSTRUCTION

STEP 1



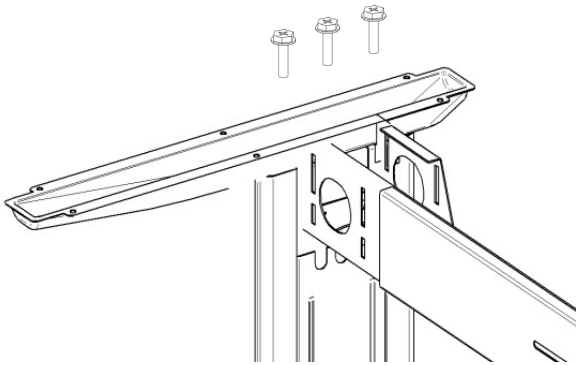
Attach Leg column to Foot, using bolt A. Make sure the bolt holes on the leg column are to the back of the foot as per above.

STEP 2



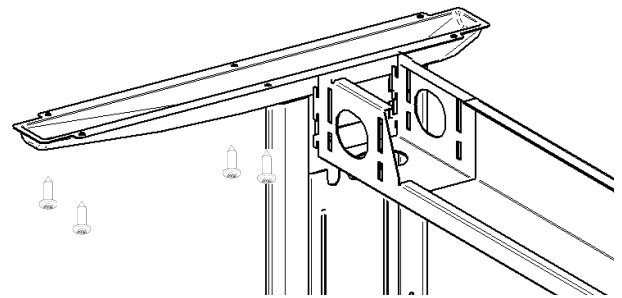
Attach the extendable beam to the leg column as per above, the open side of the beam should face the back.

STEP 3



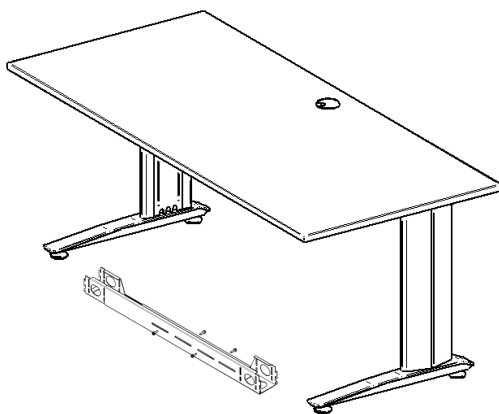
Attach the top plates to the leg columns using bolt A.

STEP 4



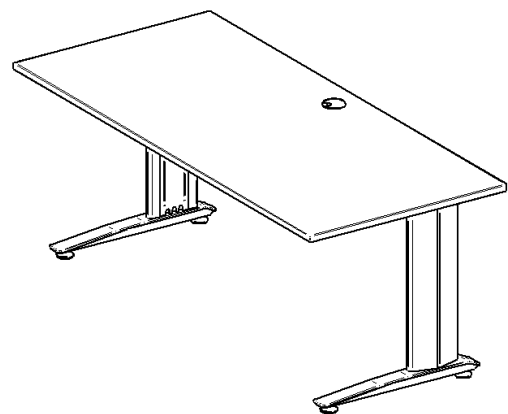
Place the desk top on the base frame, and extend the frame out so that holes on the top plate match the predrilled holes on the underside of the desk top. Attach the desk top to the frame with bolt B.

STEP 5



Install 2x bolt A to the front and back of the beam.

STEP 6

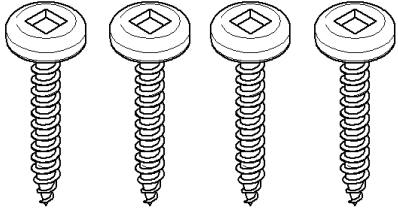
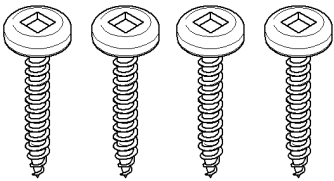
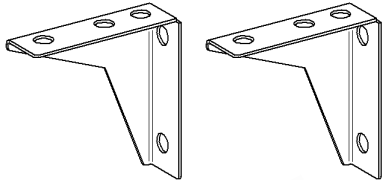
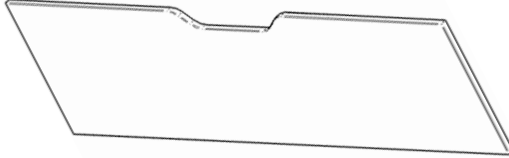
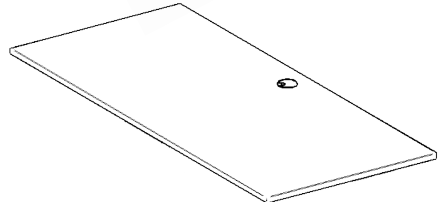


Energy 180 Degree Straight

STRAIGHT DESK

with 18mm Modesty Panel

PARTS LIST

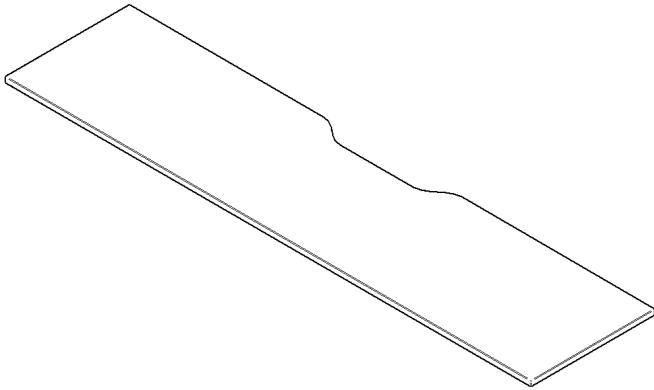
NO.	NAME	QUANTITY	IMAGE
1	Large Wood Screw (10g x 19mm)	4pcs	
2	Small Wood Screw (8g x 16mm)	4pcs	
3	Angle Brackets	2pcs	
4	18mm Panel	1pc	
5	Desk Top	1pc	

SINGLE DESK

with 18mm Modesty Panel

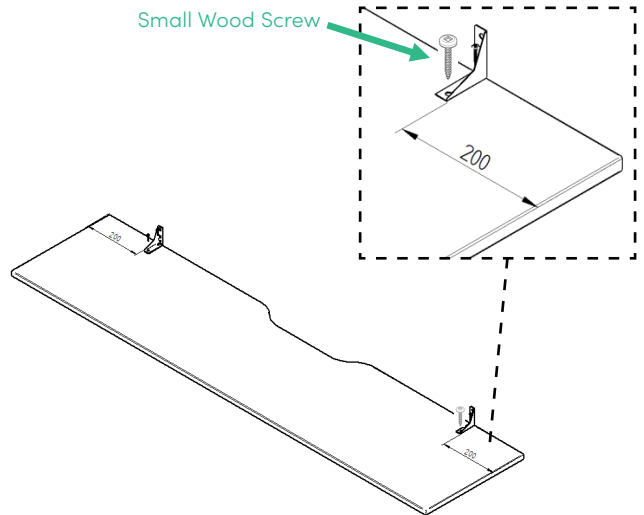
ASSEMBLY INSTRUCTION

STEP 1



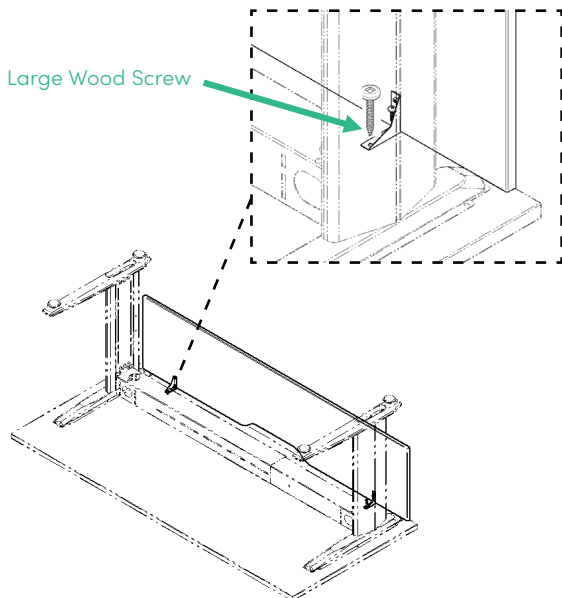
Place the modesty panel on a clean flat surface.

STEP 2



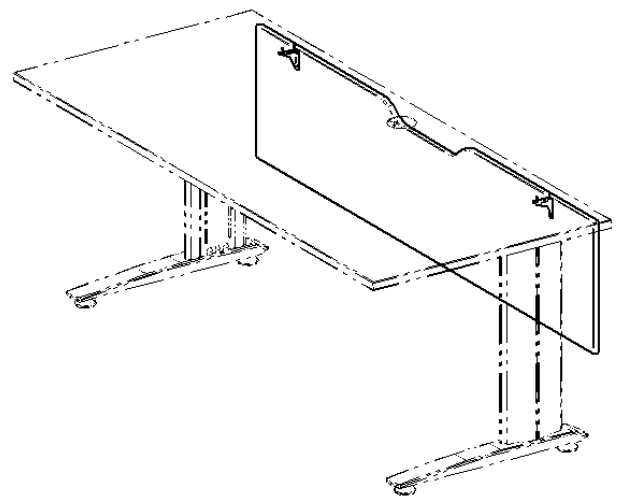
Attached the Brackets to the panel, using the Small Wood Screws (8g x 16mm).

STEP 3



With the desk upside down attach the panel to back edge, using the large wood screws (10g x 19mm).

STEP 4

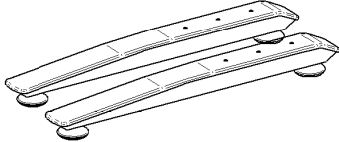
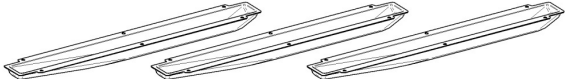
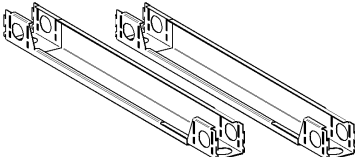
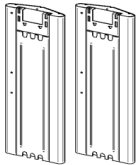

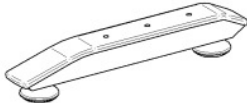
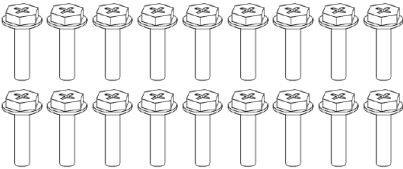
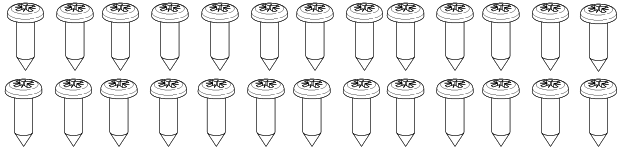
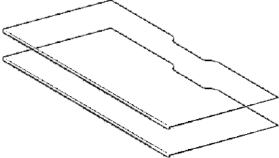


18mm Modestly Panel

INLINE 2 PERSON

PARTS LIST

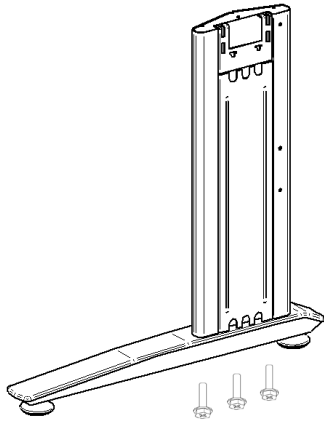
**Part quantity's may very depending on table configuration*

NO.	NAME	QUANTITY	IMAGE
1	Large Foot	2pcs	
2	Leg Top Plate	3pcs	
3	Extendable Beam	2pcs	
4	Leg Column LH/RH	2pcs	
5	Inline Leg Column Double Sided	1pc	
6	Small Foot	1pc	
7	Bolt A	18pcs	
8	Bolt B	26pcs	
9	Desk Top	2pcs	

INLINE 2 PERSON

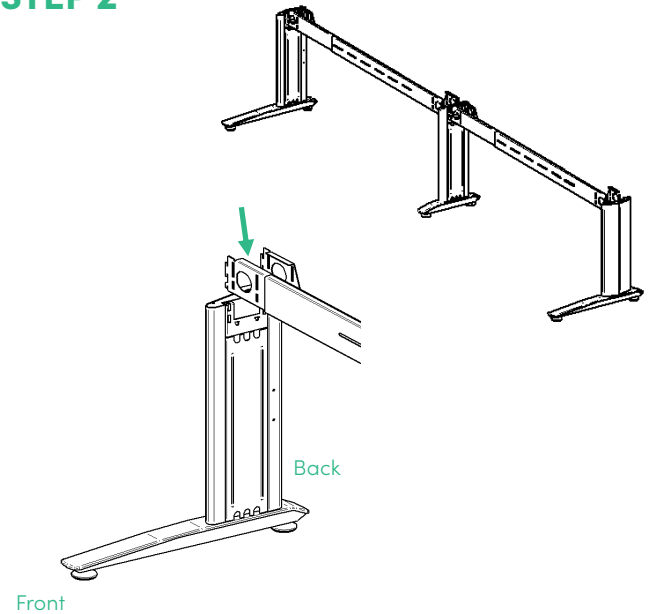
ASSEMBLY INSTRUCTION

STEP 1



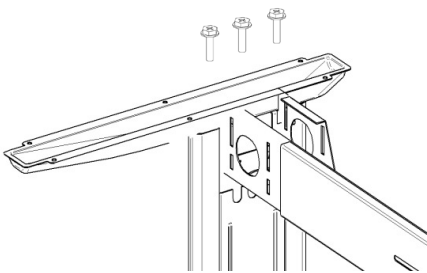
Attach Leg column to Foot, using bolt A. Make sure the bolt holes on the leg column are to the back of the foot as per above.

STEP 2



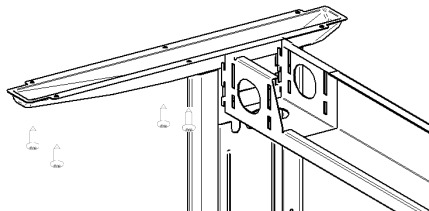
Attach the Extendable beam to the leg column as per above. *Note: The beam can be installed with the open side to either the front or back, depending on the preference of the user. Use a nylon hammer to hit the top of the beam into place.*

STEP 3



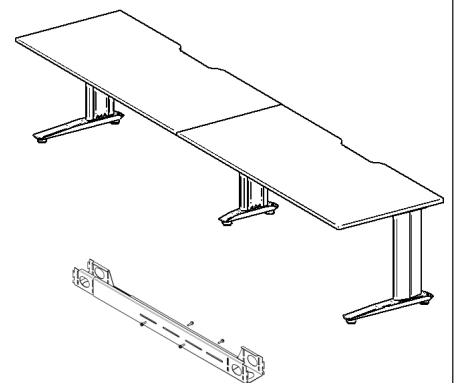
Attach Leg top plate to the top of the Leg columns using bolt A.

STEP 4



Place Desk top on the base frame, attach the desk top to the frame with bolt B.

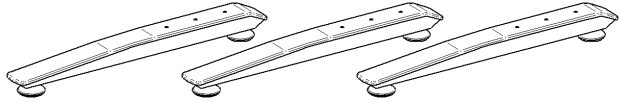
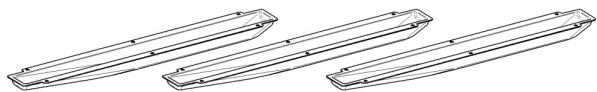
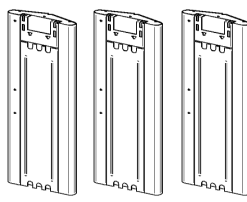
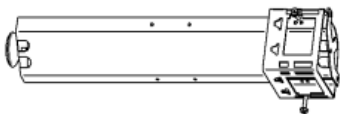
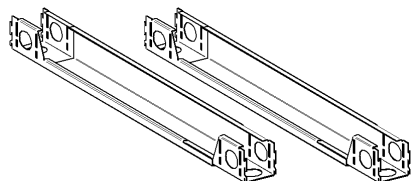
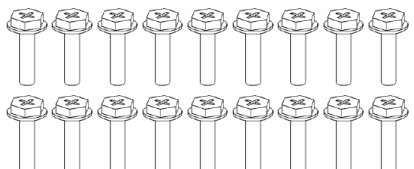
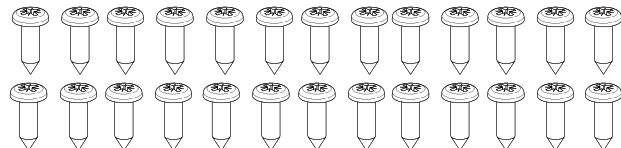
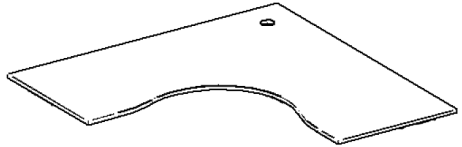
STEP 5



Using the bolts supplied with the beam, install 2 bolts front and back of each beam as per above.

CORNER WORKSTATION

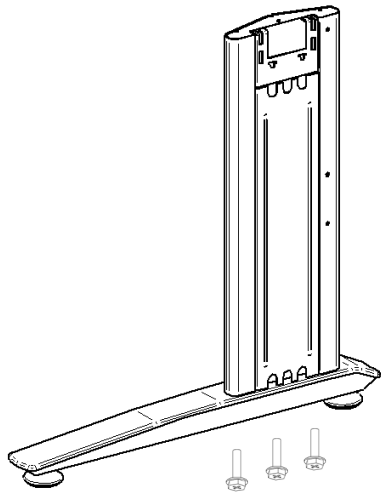
PARTS LIST

NO.	NAME	QUANTITY	IMAGE
1	Foot	3pcs	
2	Leg Top Plate	3pcs	
3	Leg Column	3pcs	
4	Option: 90degree Back Corner Leg	1pc	
6	Extendable Beam	2pcs	
7	Bolt A	18pcs	
8	Bolt B	26pcs	
9	Desk Top	1pcs	

CORNER WORKSTATION

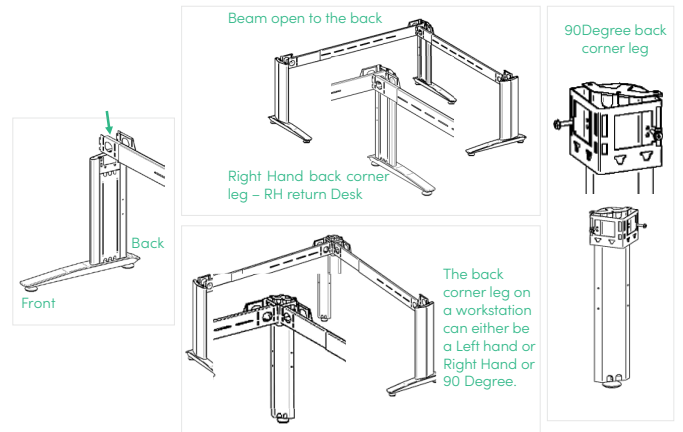
ASSEMBLY INSTRUCTION

STEP 1



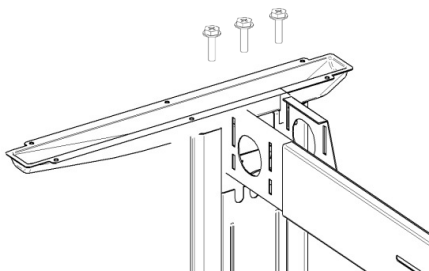
Attach Leg column to Foot, using bolt A. Make sure the bolt holes on the leg column are to the back of the foot as per above.

STEP 2



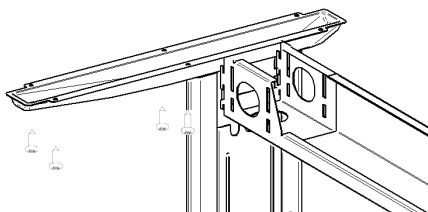
Attach the Extendable beam to the leg column as per above. *Note: The beam can be installed with the open side to either the front or back, depending on the preference of the user. Use a nylon hammer to hit the top of the beam into place.*

STEP 3



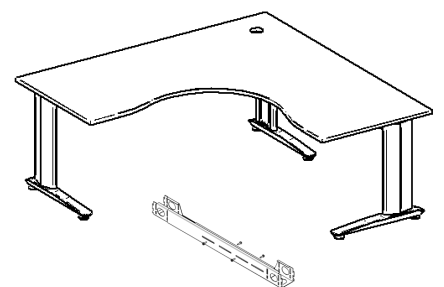
Attach Leg top plate to the top of the Leg columns using bolt A.

STEP 4



Place Desk top on the base frame, attach the desk top to the frame with bolt B.

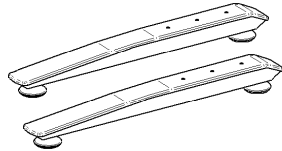
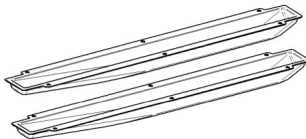
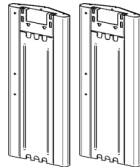
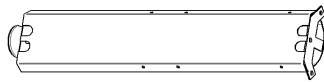
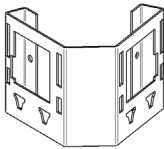
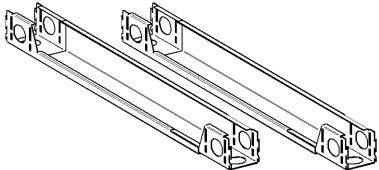
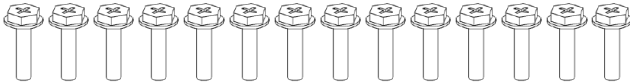
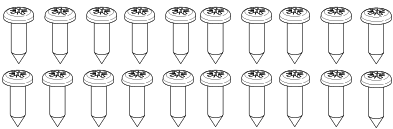
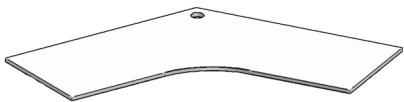
STEP 5



Using the bolts supplied with the beam, install 2 bolts front and back of each beam as per above.

120DEGREE SINGLE DESK

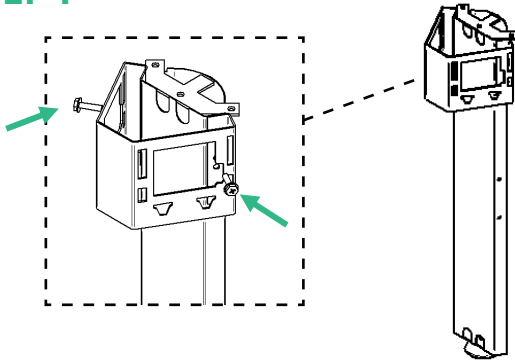
PARTS LIST

NO.	NAME	QUANTITY	IMAGE
1	Foot	2pcs	
2	Leg Top Plate	3pcs	
3	Leg Column LH/RH	2pcs	
4	Corner Pole leg	1pc	
6	120 Degree Corner Bracket	1pc	
7	Extendable Beam	2pcs	
8	Bolt A	14pcs	
9	Bolt B	20pcs	
10	Desk Top	1pc	

120DEGREE SINGLE DESK

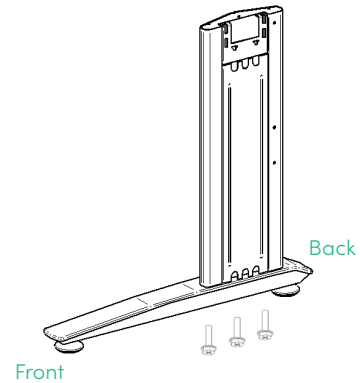
ASSEMBLY INSTRUCTION

STEP 1



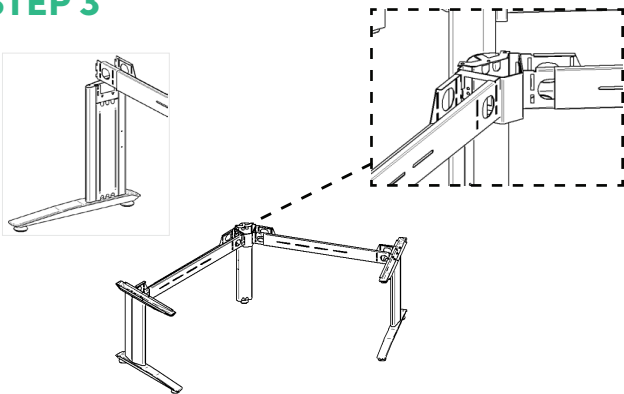
Attach 120degree bracket to the 120degree back corner leg as per above, using Bolts supplied with the bracket.

STEP 2



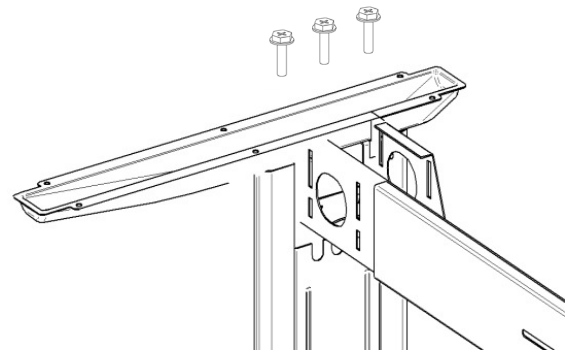
Attach Leg column to Foot, using bolt A. Make sure the bolt holes on the leg column are to the back of the foot as per above.

STEP 3



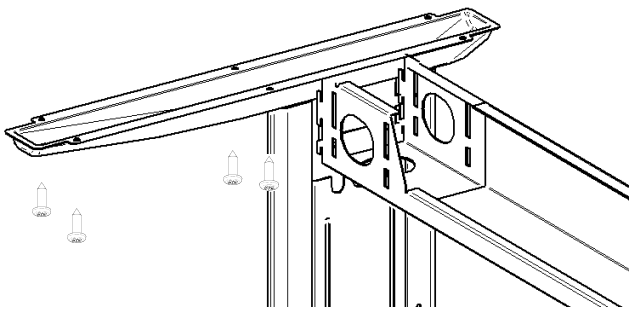
Attach the Extendable beam to the leg column as per above, the open side of the beam to the back. Use a nylon hammer to hit the top of the beam into place.

STEP 4



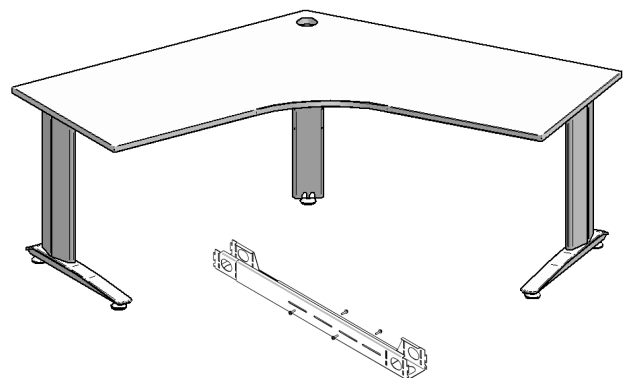
Attach the top plates to the leg columns using bolt A.

STEP 5



Place Desk top on the base frame, attach the desk top to the frame with bolt B.

STEP 6



Using the bolts supplied with the beam, install 2 bolts front and back of each beam as per above.

FACTSHEET

CARE & MAINTENANCE

GENERAL CARE – INFORMATION

- Avoid scourers and abrasives as they will damage the surface.
- Don't place hot objects, electrical appliances or pots straight from the oven or cooker onto your laminate surface.
- Don't cut on the laminate surface.
- Keep waxes and polishes well away as they dull the natural shine.
- Do not use strongly acidic, alkaline cleaners or bleach for normal cleaning as these might etch the surface.

GENERAL CARE – STREAKS

Streaky marks sometimes show on dark colours after cleaning. An all-purpose cleaner such as Mr. Muscle Surface & Glass or Ajax Spray n Wipe usually removes them.

GENERAL CARE – GREASE

Using a mild dishwashing detergent in water will remove greasy marks. Dab, wait and wipe away. Finish with an all-purpose cleaner such as Mr. Muscle Surface & Glass or Ajax Spray n Wipe.

GENERAL CARE – SPILLS

Laminate surfaces resist staining from most household chemicals. With some accidental spills however, prompt action is essential. Wipe off beetroot, grape and berry juices, first aid preparations, concentrated bleach, oven cleaners, dishwasher detergents, artificial dyes, hair colouring and solvent based pen ink immediately. Specialty glues such as Super Glue must also be removed straight away with acetone (nail polish remover).

GENERAL CARE – STAINS

If the stain won't budge with Mr. Muscle Surface & Glass, try methylated spirits or dab the stain with a diluted bleach mixture (1 part bleach to 8 parts water); leave for 3 minutes then wash off with water and dry. Finish off with Mr. Muscle Surface & Glass. Only as a last resort if a stain persists try 2 or 3 rubs with a crème cleanser or white toothpaste, wash and dry. Please note that bleach or these abrasive cleaners may irreversibly damage the laminate surface.

GENERAL CARE – SCRATCHES

Laminate surfaces will withstand normal wear and tear, but can be damaged by scratching or cutting with utensils, knives and unglazed pottery. Darker colours will show scratches more readily than lighter colours. In general, dark colours and high gloss surfaces require more care and maintenance than lighter colours or lower gloss colours. To minimise scratching, always place and lift objects from the surface – never drag or slide them across the surface.



ENERGY





0800 126 826

support@accentworkspaces.co.nz

22 Hood Street Wellsford, Auckland 0900 New Zealand