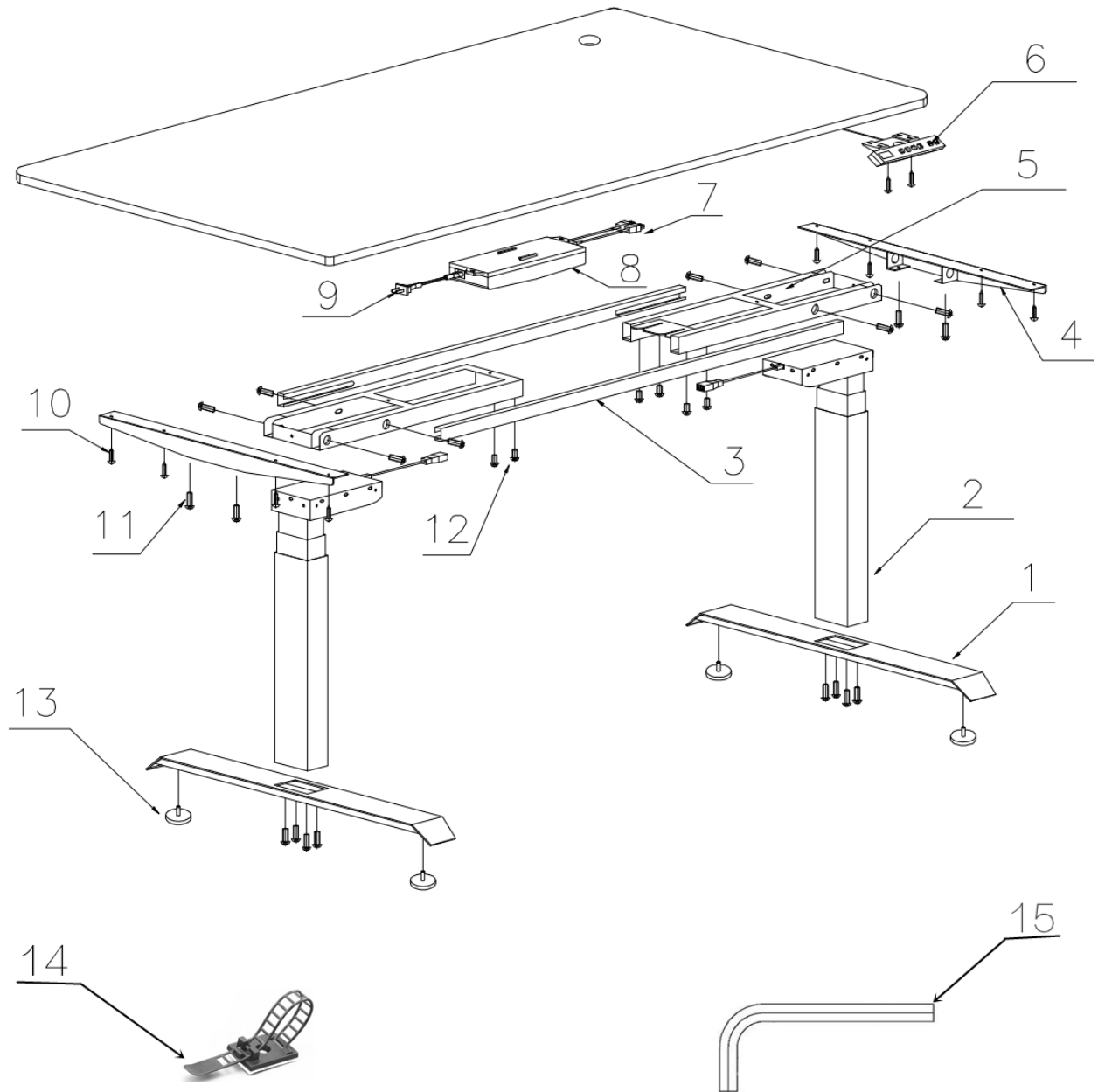


Pintari 2 Leg Assembly Instructions

a. Assembly Diagram



b. Packing list

Hardware Section

- 1. Foot ----- 2pcs
- 2. Lifting Column ----- 2pcs
- 3. Extendable Tube ----- 2pcs
- 4. Upper Side Support ----- 2pcs
- 5. Framework ----- 2pcs

Control Section

- 6. Handset ----- 1pc
- 7. Patch Cord-1.5m -----2pcs
- 8. Control Box ----- 1pc
- 9. Power Cord ----- 1pc

Accessory Package

- 10.Screw ST6x23 ----- 13pcs
- 11.Bolt M6x16 ----- 20pcs
- 12.Bolt M6x10 ----- 8pcs
- 13.Leveling Glide ----- 4pcs
- 14.Cable Tie ----- 5pcs
- 15.Hex Wrench-4mm ----- 1pcs
- 16.Hex Wrench-5mm ----- 1pcs
- 17.Bolt M8x10 ----- 4pcs



E: sales@hurdleys.co.nz
P: 09 522 2090

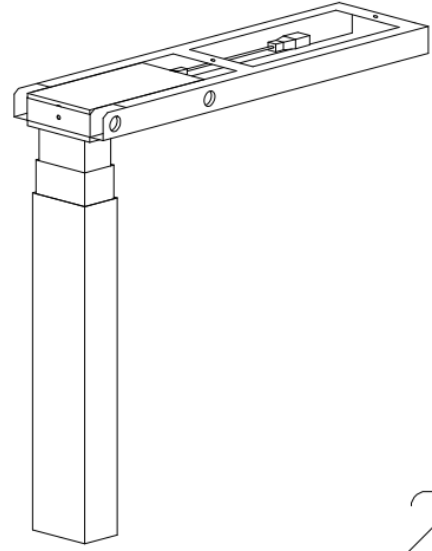
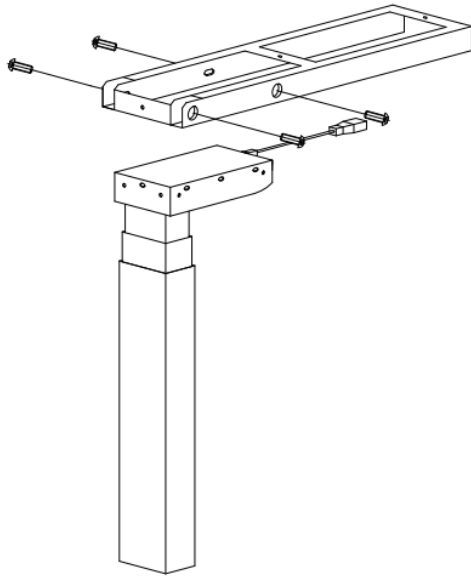
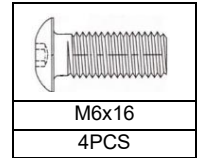
www.hurdleysofficefurniture.co.nz

Hurdleys Office Furniture
1 Clayton Street, Newmarket

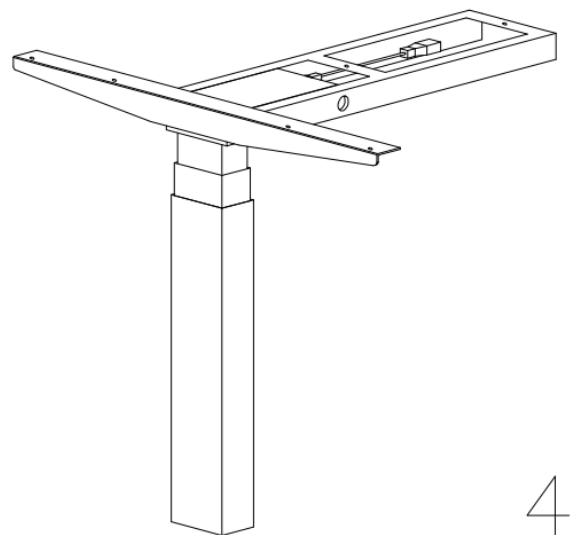
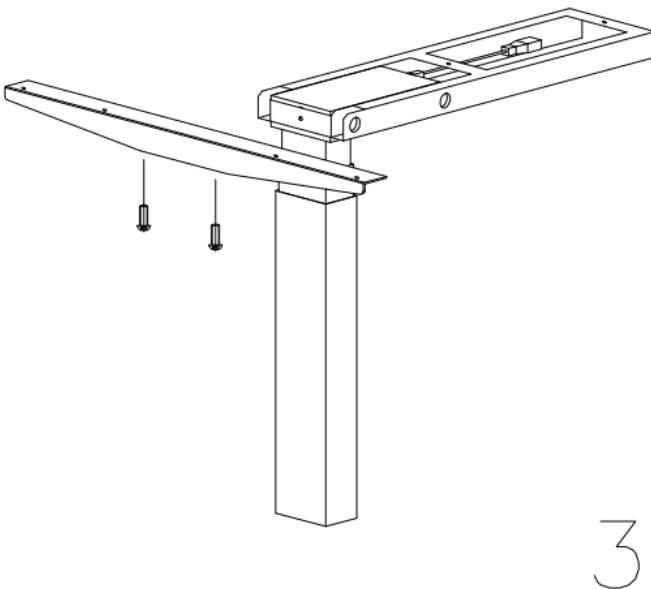
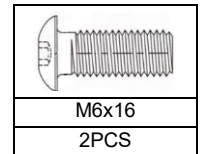
Auckland, New Zealand

c. How to set up Desk Frame.

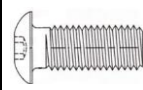

1. Install framework on lifting columns with Screw.
(Pic1 and Pic2) (Parts: 4pcs M6x16).

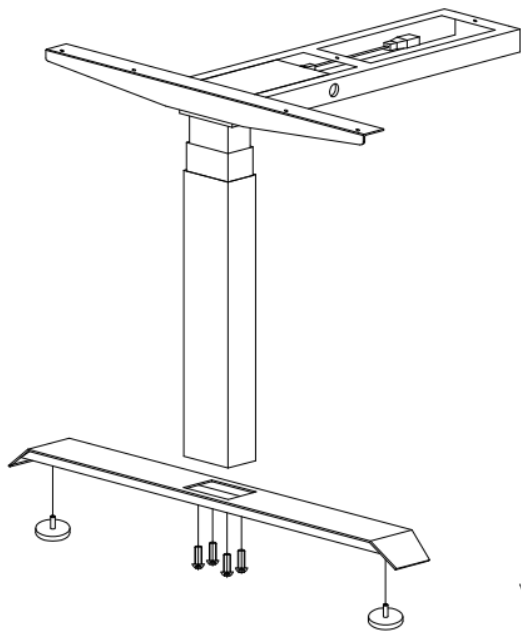


2. Install Upper Side Support with Screw.
(Pic3 and Pic4) (Parts: 2pcs M6x16).

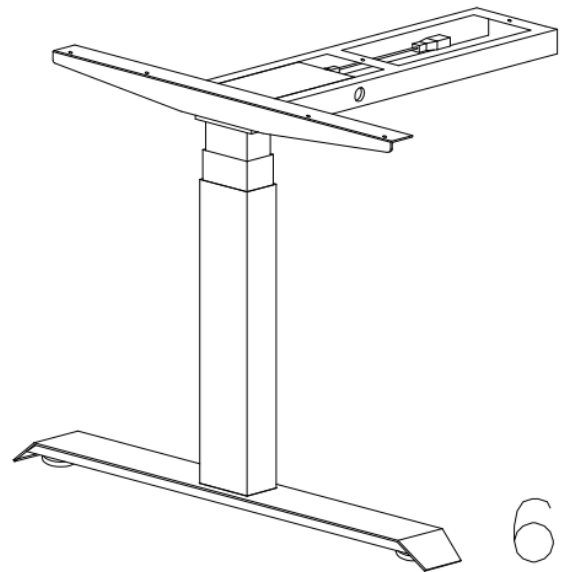


3. Install Foot and Leveling Glide.(Pic5 and Pic6)
 (Parts:4pcs M6x16 ,2pcs Leveling Glide).

	
M6x16	Leveling Glide
4PCS	2PCS

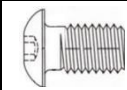


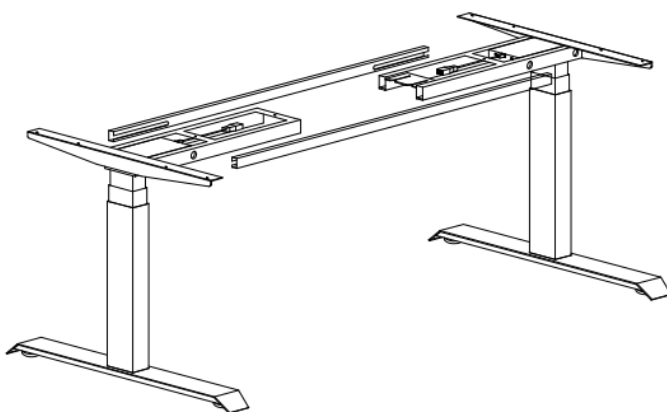
5



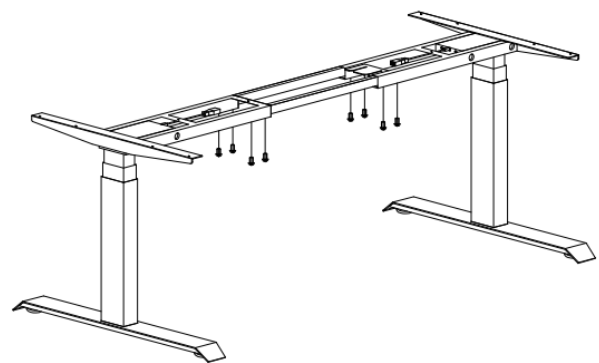
6

4. Insert extendable tube into framework open ends of framework
 and fix it with hex wrench
 (Pic7 and Pic8) (Parts:8pcs M6x10)


M6x10
8PCS

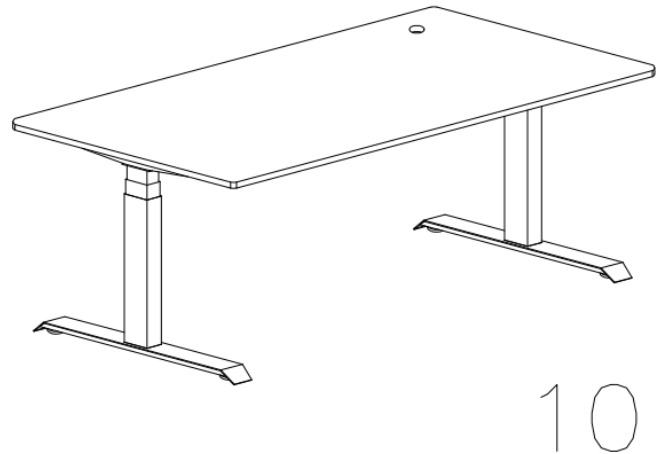
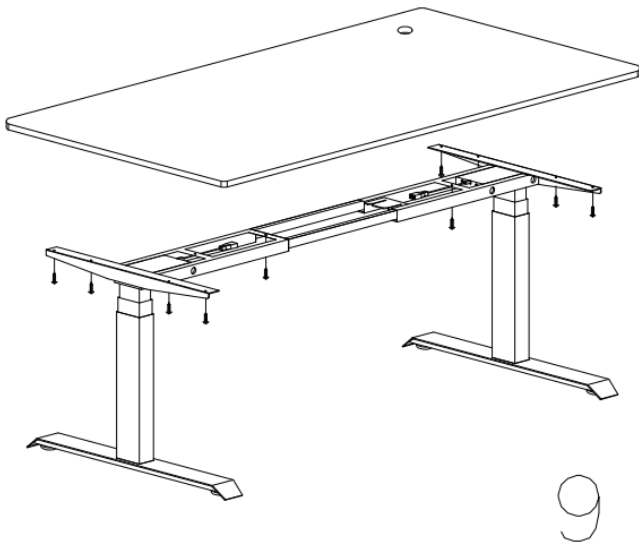
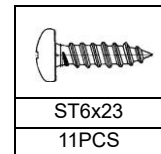


7



8

5. Install desktop,
(Pic9 and Pic10) (Parts:11pcs Screw ST6x23)



6. Hang the control box and install the handset using screwdriver
(Pic11 and pic12) (Parts:2pcs Screw ST6x23)

